

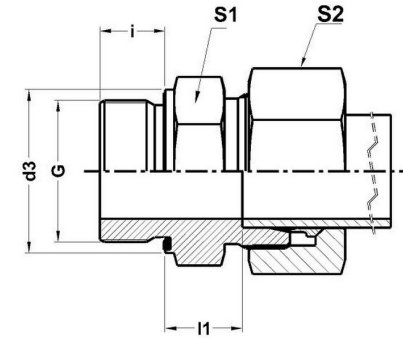
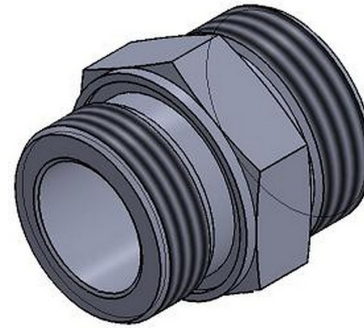


HYDROMATIK
connections par excellence

Metric Bite Type Fittings

GE-SR-ED - STRAIGHT MALE STUD COUPLING GE-SR-ED

Male Stud Thread G - BSP With Elastomeric Seal



Part No.	Series	Tube OD	l1	i	S2	S1	d3	G
GE 06 -SR-ED	Heavy-630 Bar	6	13	12	17	19	19	G 1/4
GE 08 -SR-ED	Heavy-630 Bar	8	15	12	19	19	19	G 1/4
GE 08 -SR-ED	Heavy-630 Bar	8	15.5	12	19	22	22	G 3/8
GE 10 -SR-ED	Heavy-630 Bar	10	14.5	12	22	19	19	G 1/4
GE 10 -SR-ED	Heavy-630 Bar	10	15	12	22	22	22	G 3/8
GE 10 -SR-ED	Heavy-630 Bar	10	17.5	14	22	27	27	G 1/2
GE 12 -SR-ED	Heavy-630 Bar	12	17	12	24	22	22	G 3/8
GE 12 -SR-ED	Heavy-630 Bar	12	14.5	12	24	22	19	G 1/4
GE 12 -SR-ED	Heavy-630 Bar	12	17.5	14	24	27	27	G 1/2
GE 14 -SR-ED	Heavy-400 Bar	14	19	14	27	27	27	G 1/2
GE 16 -SR-ED	Heavy-400 Bar	16	18.5	14	30	27	27	G 1/2
GE 16 -SR-ED *	Heavy-400 Bar	16	17.5	12	30	24	22	G 3/8
GE 16 -SR-ED	Heavy-400 Bar	16	20.5	16	30	32	32	G 3/4
GE 20 -SR-ED	Heavy-400 Bar	20	20.5	16	36	32	32	G 3/4

GE 25 -SR-ED	Heavy-400 Bar	25	21	18	46	41	40	G 1
GE 25 -SR-ED	Heavy-400 Bar	25	23	14	46	41	27	G 1/2
GE 25 -SR-ED	Heavy-400 Bar	25	23	16	46	41	32	G 3/4
GE 30 -SR-ED	Heavy-250 Bar	30	23.5	20	50	50	50	G 1.1/4
GE 38 -SR-ED	Heavy-250 Bar	38	26	22	60	55	55	G 1.1/2

Dimensions given approx. Fig. with tightened nut.

Part No. Given refers to complete assembly - Steel Part

*' For SS fittings S3 will be 27