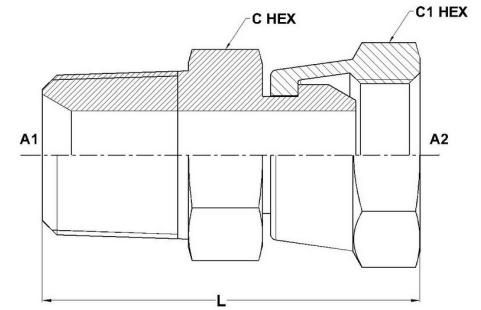
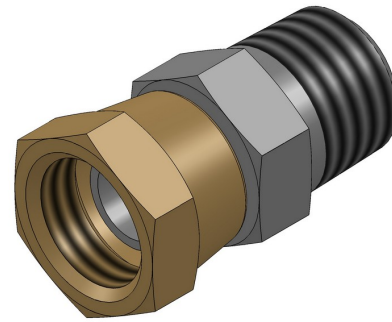




HYDROMATIK
connections par excellence

Tube Fittings & Adapters

MP-FPS Straight 1404 Series | SAE# 140130



PART NO. SIZE	A1 NPTF	A2 NPSM	A1 DRILL	A2 DRILL	L1 HEX	L LGTH	C HEX	C1 HEX
1404-02-02	1/8-27	1/8-27	0.188	0.150	0.94	1.08	0.562	0.562
1404-02-04	1/8-27	1/4-18	0.188	0.220	1.05	1.24	0.688	0.688
1404-04-02	1/4-18	1/8-27	0.281	0.150	1.18	1.32	0.688	0.562
1404-04-04	1/4-18	1/4-18	0.281	0.220	1.23	1.42	0.688	0.688
1404-04-06	1/4-18	3/8-18	0.281	0.340	1.31	1.52	0.812	0.875
1404-04-08	1/4-18	1/2-14	0.281	0.460	1.42	1.70	1.000	1.000
1404-06-04	3/8-18	1/4-18	0.406	0.220	1.30	1.49	0.750	0.688
1404-06-06	3/8-18	3/8-18	0.406	0.340	1.30	1.52	0.875	0.875
1404-06-08	3/8-18	1/2-14	0.406	0.460	1.42	1.70	1.000	1.000
1404-08-04	1/2-14	1/4-18	0.531	0.220	1.52	1.71	0.875	0.688
1404-08-06	1/2-14	3/8-18	0.531	0.340	1.56	1.77	0.875	0.875
1404-08-08	1/2-14	1/2-14	0.531	0.460	1.61	1.89	1.000	1.000
1404-08-12	1/2-14	3/4-14	0.531	0.635	1.74	2.09	1.250	1.250
1404-12-06	3/4-14	3/8-18	0.719	0.340	1.56	1.77	1.125	0.875

1404-12-08	3/4-14	1/2-14	0.719	0.460	1.65	1.93	1.125	1.000
1404-12-12	3/4-14	3/4-14	0.719	0.635	1.75	2.10	1.250	1.250
1404-12-16	3/4-14	1-11 1/2	0.719	0.831	1.81	2.16	1.500	1.500
1404-12-20	3/4-14	1 1/4-1 1/2	0.719	1.087	1.86	2.28	1.875	1.875
1404-16-06	1-11 1/2	3/8-18	0.938	0.340	1.81	2.02	1.375	0.875
1404-16-08	1-11 1/2	1/2-14	0.938	0.460	1.88	2.16	1.375	1.000
1404-16-12	1-11 1/2	3/4-14	0.938	0.635	1.94	2.29	1.500	1.250
1404-16-16	1-11 1/2	1-11 1/2	0.938	0.831	2.00	2.35	1.500	1.500
1404-16-20	1-11 1/2	1 1/4-11 1/2	0.938	1.087	2.05	2.47	1.875	1.875
1404-16-24	1-11-1/2	1-1/2-11-1/2	0.938	1.317	2.21	2.63	2.125	2.125
1404-20-16	1 1/4-11 1/2	1-11 1/2	1.250	0.831	2.05	2.40	1.875	1.500
1404-20-20	1 1/4-11 1/2	1 1/4-11 1/2	1.250	1.087	2.10	2.52	1.875	1.875
1404-20-24	1 1/4-11 1/2	1 1/2-11 1/2	1.250	1.317	2.09	2.51	2.125	2.125
1404-24-20	1 1/2-11 1/2	1 1/4-11 1/2	1.500	1.087	2.12	2.54	2.125	1.875
1404-24-24	1 1/2-11 1/2	1 1/2-11 1/2	1.500	1.317	2.27	2.69	2.125	2.125
1404-32-32	2-11 1/2	2-11 1/2	1.938	1.802	2.37	2.79	2.625	2.625