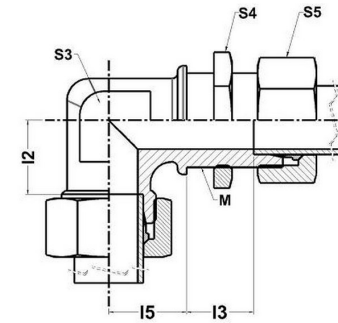




HYDROMATIK
connections par excellence

Metric Bite Type Fittings

ESB - ELBOW BULKHEAD COUPLING ESB |



Part No.	Series	Tube OD	M	S3	S2	S4	I2	I3	I5
ESB 06-L	Light-250 Bar	6	M12 X 1.5	17	14	17	12	27	14
ESB 08-L	Light-250 Bar	8	M14 X 1.5	19	17	19	14	27	17
ESB 10-L	Light-250 Bar	10	M16 X 1.5	22	19	22	15	28	18
ESB 12-L *	Light-250 Bar	12	M18 X 1.5	17	22	24	17	29	20
ESB 15-L *	Light-250 Bar	15	M22 X 1.5	19	27	30	21	31	23
ESB 18-L	Light-160 Bar	18	M26 X 1.5	32	32	36	23.5	32.5	24
ESB 22-L	Light-160 Bar	22	M30 X 2.0	36	36	41	27.5	34.5	30
ESB 28-L	Light-100 Bar	28	M36 X 2.0	42	41	46	30.5	35.5	34
ESB 35-L	Light-100 Bar	35	M45 X 2.0	50	50	55	34.5	36.5	39
ESB 42-L	Light-100 Bar	42	M52 X 2.0	60	60	65	40	36	43
ESB 06-S	Heavy-630 Bar	6	M14 X 1.5	19	17	19	16	29	17
ESB 08-S	Heavy-630 Bar	8	M16 X 1.5	22	19	22	17	29	18
ESB 10-S *	Heavy-630 Bar	10	M18 X 1.5	17	22	24	17.5	29.5	20
ESB 12-S *	Heavy-630 Bar	12	M20 X 1.5	19	24	27	21.5	30.5	21
ESB 14-S	Heavy-400 Bar	14	M22 X 1.5	27	27	30	22	32.5	23

ESB 16-S	Heavy-400 Bar	16	M24 X 1.5	30	30	32	24.5	31.5	24
ESB 20-S	Heavy-400 Bar	20	M30 X 2.0	36	36	41	26.5	33.5	30
ESB 25-S	Heavy-400 Bar	25	M36 X 2.0	42	46	46	30	35	34
ESB 30-S	Heavy-250 Bar	30	M42 X 2.0	50	50	50	35.5	37.5	39
ESB 38-S	Heavy-250 Bar	38	M52 X 2.0	60	60	65	41	37	43

Dimensions given approx. Fig. with tightened nut.

Part No. Given refers to complete assembly - Steel Part

* Available in Forging Material