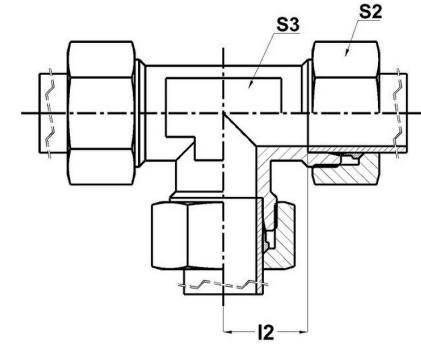




HYDROMATIK
connections par excellence

Metric Bite Type Fittings

T - EQUAL TEE T |



Part No.	Series	Tube OD	S2	S3	I2
T 06-L	Light-250 Bar	6	14	12	12
T 08-L	Light-250 Bar	8	17	12	14
T 10-L	Light-250 Bar	10	19	14	15
T 12-L	Light-250 Bar	12	22	17	17
T 15-L	Light-250 Bar	15	27	19	21
T 18-L	Light-160 Bar	18	32	24	23.5
T 22-L	Light-160 Bar	22	36	27	27.5
T 28-L	Light-100 Bar	28	41	36	30.5
T 35-L	Light-100 Bar	35	50	41	34.5
T 42-L	Light-100 Bar	42	60	50	40
T 06-S	Heavy-630 Bar	6	17	12	16
T 08-S	Heavy-630 Bar	8	19	14	17
T 10-S	Heavy-630 Bar	10	22	17	17.5
T 12-S	Heavy-630 Bar	12	24	17	21.5
T 14-S	Heavy-400 Bar	14	27	19	22

T 16-S	Heavy-400 Bar	16	30	24	24.5
T 20-S	Heavy-400 Bar	20	36	27	26.5
T 25-S	Heavy-400 Bar	25	46	36	30
T 30-S	Heavy-250 Bar	30	50	41	35.5
T 38-S	Heavy-250 Bar	38	60	50	41

Dimensions given approx. Fig. with tightened nut.

Part No. Given refers to complete assembly - Steel Part