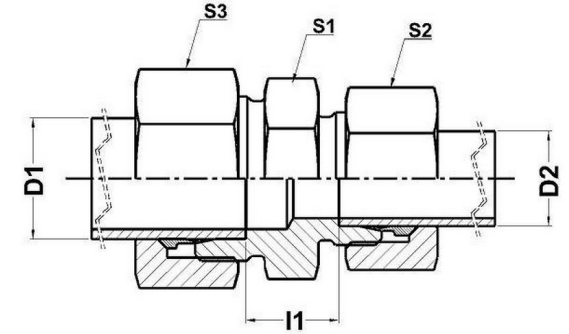
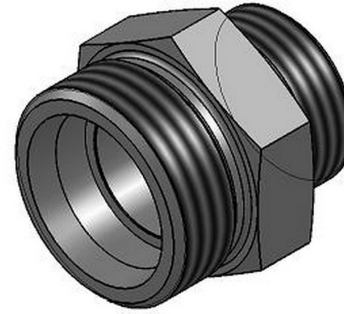




**HYDROMATIK**  
connections par excellence

## Metric Bite Type Fittings

### GR - STRAIGHT REDUCER GR |



Part No.	Series	Tube OD D1	Tube OD D2	l1	S1	S2	S3
GR 08/06 L	Light-250 Bar	8	6	11	14	14	17
GR 10/06 L	Light-250 Bar	10	6	12	17	14	19
GR 10/08 L	Light-250 Bar	10	8	12	17	17	19
GR 12/06 L	Light-250 Bar	12	6	13	19	14	22
GR 12/08 L	Light-250 Bar	12	8	13	19	17	22
GR 12/10 L	Light-250 Bar	12	10	14	19	19	22
GR 15/10 L	Light-250 Bar	15	10	15	24	19	27
GR 15/12 L	Light-250 Bar	15	12	15	24	22	27
GR 18/10 L	Light-160 Bar	18	10	15.5	27	19	32
GR 18/12 L	Light-160 Bar	18	12	15.5	27	22	32
GR 18/15 L	Light-160 Bar	18	15	16.5	27	27	32
GR 22/12 L	Light-160 Bar	22	12	17.5	32	22	36
GR 22/15 L	Light-160 Bar	22	15	18.5	32	27	36
GR 22/18 L	Light-160 Bar	22	18	18	32	32	36

GR 28/18 L	Light-100 Bar	28	18	19	41	32	41
GR 28/22 L	Light-100 Bar	28	22	21	41	36	41
GR 35/22 L	Light-100 Bar	35	22	21	46	36	50
GR 35/28 L	Light-100 Bar	35	28	21	46	41	50
GR 08/06 S	Heavy-630 Bar	8	6	18	17	17	19
GR 10/06 S	Heavy-630 Bar	10	6	17.5	19	17	22
GR 10/08 S	Heavy-630 Bar	10	8	17.5	19	19	22
GR 12/06 S	Heavy-630 Bar	12	6	19.5	22	17	24
GR 12/08 S	Heavy-630 Bar	12	8	19.5	22	19	24
GR 12/10 S	Heavy-630 Bar	12	10	19	22	22	24
GR 14/10 S	Heavy-400 Bar	14	10	20.5	24	22	27
GR 14/12 S	Heavy-400 Bar	14	12	20.5	24	24	27
GR 16/12 S	Heavy-400 Bar	16	12	20	27	24	30
GR 16/14 S	Heavy-400 Bar	16	14	19.5	27	27	30
GR 20/10 S	Heavy-400 Bar	20	10	22	32	22	36
GR 20/12 S	Heavy-400 Bar	20	12	22	32	24	36
GR 20/16 S	Heavy-400 Bar	20	16	23	32	30	36
GR 25/16 S	Heavy-400 Bar	25	16	25.5	41	30	46
GR 25/20 S	Heavy-400 Bar	25	20	25.5	41	36	46
GR 30/20 S	Heavy-250 Bar	30	20	26	46	36	50
GR 30/25 S	Heavy-250 Bar	30	25	26.5	46	46	50
GR 38/30 S	Heavy-250 Bar	38	30	29.5	55	50	60

Dimensions given approx. Fig. with tightened nut.

Part No. Given refers to complete assembly - Steel Part