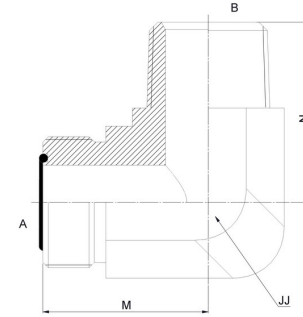
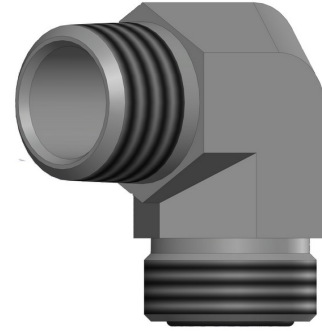




HYDROMATIK
connections par excellence

O-Ring Face Seal Fittings

MFS-MP 90° FS2501 Series |



PART NO.SIZE	TUBE O.D.	A THREAD	B THREAD	A DRILL	B DRILL	M LGTH	N LGTH	JJ FLATS
FS2501-04-02-FG	1/4	9/16-18	1/8-27	0.172	0.188	0.85	0.90	0.562
FS2501-04-04-FG	1/4	9/16-18	1/4-18	0.172	0.281	0.85	1.09	0.562
FS2501-04-06-FG	1/4	9/16-18	3/8-18	0.172	0.406	0.92	1.22	0.750
FS2501-06-02-FG	3/8	11/16-16	1/8-27	0.264	0.188	0.98	1.03	0.750
FS2501-06-04-FG	3/8	11/16-16	1/4-18	0.264	0.281	0.98	1.22	0.750
FS2501-06-06-FG	3/8	11/16-16	3/8-18	0.264	0.406	0.98	1.22	0.750
FS2501-06-08-FG	3/8	11/16-16	1/2-14	0.264	0.531	1.10	1.47	0.875
FS2501-08-04-FG	1/2	13/16-16	1/4-18	0.378	0.281	1.10	1.22	0.750
FS2501-08-06-FG	1/2	13/16-16	3/8-18	0.378	0.406	1.10	1.22	0.750
FS2501-08-08-FG	1/2	13/16-16	1/2-14	0.378	0.531	1.10	1.47	0.875
FS2501-08-12-FG	1/2	13/16-16	3/4-14	0.378	0.719	1.21	1.59	1.062
FS2501-10-06-FG	5/8	1-14	3/8-18	0.484	0.406	1.31	1.40	1.062
FS2501-10-08-FG	5/8	1-14	1/2-14	0.484	0.531	1.31	1.59	1.062
FS2501-10-12-FG	5/8	1-14	3/4-14	0.484	0.719	1.31	1.59	1.062
FS2501-12-08-FG	3/4	1-3/16-12	1/2-14	0.609	0.531	1.47	1.59	1.188

FS2501-12-12-FG	3/4	1-3/16-12	3/4-14	0.609	0.719	1.47	1.59	1.188
FS2501-12-16-FG	3/4	1-3/16-12	1-11-1/2	0.609	0.938	1.62	1.97	1.312
FS2501-16-12-FG	1	1-7/16-12	3/4-14	0.811	0.719	1.64	1.78	1.438
FS2501-16-16-FG	1	1-7/16-12	1-11-1/2	0.811	0.938	1.64	1.97	1.438
FS2501-16-20-FG	1	1-7/16-12	1-1/4-11-1/2	0.811	1.250	1.76	2.38	1.625
FS2501-20-16-FG	1-1/4	1-11/16-12	1-11-1/2	1.024	0.938	1.76	2.35	1.625
FS2501-20-20-FG	1-1/4	1-11/16-12	1-1/4-11-1/2	1.024	1.250	1.76	2.38	1.625
FS2501-24-24-FG	1-1/2	2-12	1-1/2-11-1/2	1.260	1.500	1.92	2.64	1.875