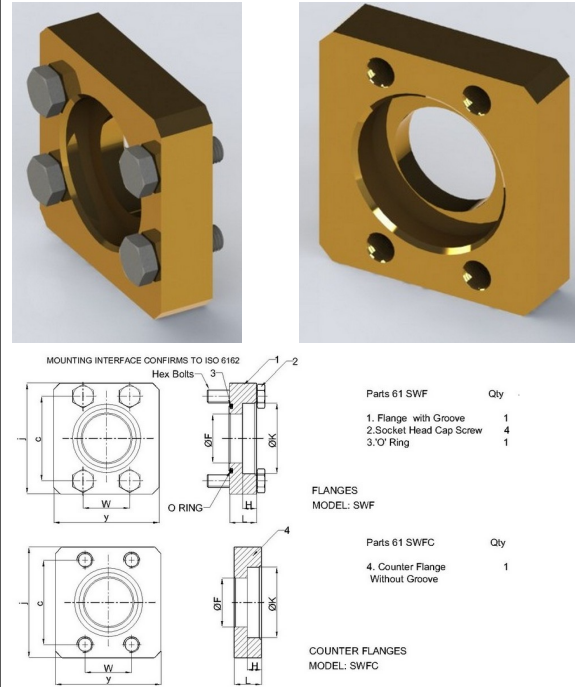




Hydraulic Flanges & Accessories

SOCKET WELD FLANGE [61SWF] Flange

Counter Flange | Standard Pressure Series (SAE CODE 61)



Flange	Counter Flange	Nom Flange Size	PN Bar	y	j	c	w	Ã~F	H	Ã~K	L	'O' Ring	Cap Screw
61SWF-21.3	61SWFC-21.3	1/2"	350	46	54	38.1	17.5	13	10	21.8	18	19.0 x 3.55	M8X30
61SWF-26.6	61SWFC-26.6	3/4"	350	52	65	47.6	22.3	19	13	27.0	25	25.0 X 3.55	M10X40
61SWF-33.4	61SWFC-33.4	1"	350	59	70	52.4	26.2	25	13	33.7	25	32.5 X 3.55	M10X40
61SWF-42.2	61SWFC-42.2	1.1/4"	250	73	79	58.7	30.2	32	13	42.6	25	37.5 X 3.55	M10X40
61SWF-48.3	61SWFC-48.3	1.1/2"	200	83	94	69.9	35.7	38	13	48.7	32	47.5 X 3.55	M12X50
61SWF-60.3	61SWFC-60.3	2"	200	97	102	77.8	42.9	49	16	61.2	37	56.0 X 3.55	M12X55

61SWF-73.0	61SWFC-73.0	2.1/2"	160	109	114	88.9	50.8	61	19	73.9	42	69.0 X 3.55	M12X60
61SWF-88.9	61SWFC-88.9	3"	100	131	135	106.4	61.9	75	19	89.9	51	85.0 X 3.55	M16X75
61SWF-101.6	61SWFC-101.6	3.1/2"	25	140	152	120.7	69.9	86	19	102.7	36	97.5 X 3.55	M16X60
61SWF-114.3	61SWFC-114.3	4"	25.0	152	162	130.2	77.8	99	19	115.5	36	112.0 X 3.55	M16X60
61SWF-141.3	61SWFC-141.3	5"	25	181	184	152.4	92.1	127	19	142.8	51	136.0 X 3.55	M16X75