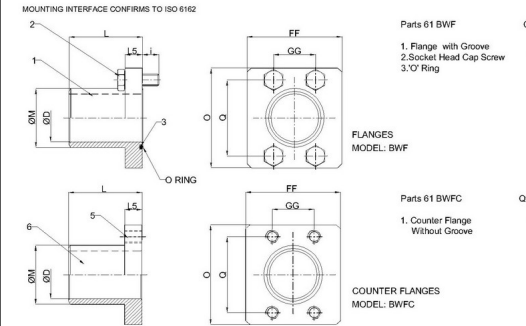
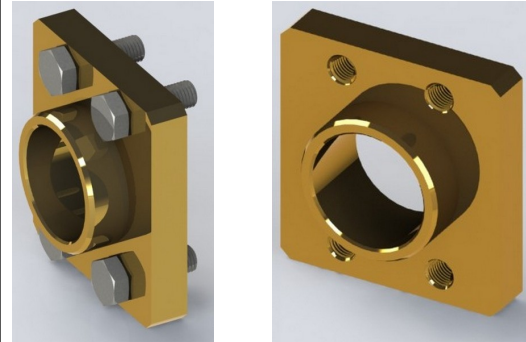




Hydraulic Flanges & Accessories

BUTTWELD FLANGE [61BWF] Flange

Counter Flange | Standard Pressure Series (SAE CODE 61)



Flange	Counter Flange	Size	Pipe Sch	PN Bar	Ã~M	Ã~D	O	Q	FF	GG	L5	i	L	'O' Ring	Cap Screw
61BWF-21.3-80	61BWFC-21.3-80	1/2"	80	288	21.3	14	54	38.1	38	17.5	13	12	32	19.0 X 3.55	M8 X 25
61BWF-21.3-160	61BWFC-21.3-160	1/2"	160	345	21.3	12	54	38.1	38	17.5	13	12	32	19.0 X 3.55	M8 X 25
61BWF-26.6-80	61BWFC-26.6-80	3/4"	80	246	26.6	19	65	47.6	45	22.3	15	15	32	25.0 X 3.55	M10X30
61BWF-26.6-160	61BWFC-26.6-160	3/4"	160	345	26.6	15	65	47.6	45	22.3	15	15	32	25.0 X 3.55	M10X30
61BWF-33.4-80	61BWFC-33.4-80	1"	80	246	33.4	24	70	52.4	51	26.2	15	15	32	32.5 X 3.55	M10X30
61BWF-33.4-160	61BWFC-33.4-160	1"	160	345	33.4	21	70	52.4	51	26.2	15	15	32	32.5 X 3.55	M10X30

61BWF-42.2-80	61BWFC-42.2-80	1.1/4"	80	211	42.2	32	79	58.7	64	30.2	15	15	32	37.5 X 3.55	M10X30
61BWF-42.2-160	61BWFC-42.2-160	1.1/4"	160	276	42.2	30	79	58.7	64	30.2	15	15	32	37.5 X 3.55	M10X30
61BWF-48.3-80	61BWFC-48.3-80	1.1/2"	80	197	48.3	38	94	69.9	70	35.7	17	18	38	47.5 X 3.55	M12X35
61BWF-60.3-80	61BWFC-60.3-80	2"	80	176	60.3	49	102	77.8	83	42.9	17	18	35	56.0 X 3.55	M12X35
61BWF-60.3-160	61BWFC-60.3-160	2"	160	207	60.3	43	102	77.8	83	42.9	17	18	35	56.0 X 3.55	M12X35
61BWF-73.0-40	61BWFC-73.0-40	2.1/2"	40	134	73.0	63	114	88.9	102	50.8	22	18	45	69.0 X 3.55	M12X40
61BWF-73.0-80	61BWFC-73.0-80	2.1/2"	80	172	73.0	59	114	88.9	102	50.8	22	18	45	69.0 X 3.55	M12X40
61BWF-88.9-40	61BWFC-88.9-40	3"	40	113	88.9	78	135	106.4	114	61.9	26	24	51	85.0 X 3.55	M16X50
61BWF-88.9-80	61BWFC-88.9-80	3"	80	138	88.9	74	135	106.4	114	61.9	26	24	51	85.0 X 3.55	M16X50
61BWF-101.6-40	61BWFC-101.6-40	3.1/2"	40	34	101.6	90	152	120.7	127	69.9	26	24	38	97.5 X 3.55	M16X50
61BWF-114.3-40	61BWFC-114.3-40	4"	40	34	114.3	102	162	130.2	140	77.8	26	24	38	112.0 X 3.55	M16X50
61BWF-141.3-40	61BWFC-141.3-40	5"	40	34	141.3	128	184	152.4	178	92.1	26	24	51	136.0 X 3.55	M16X50