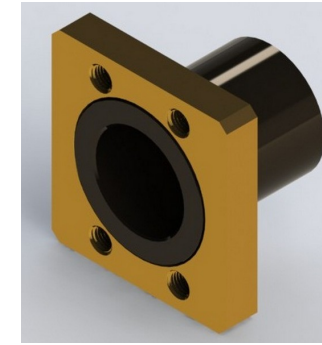
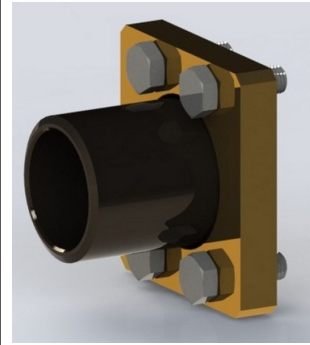


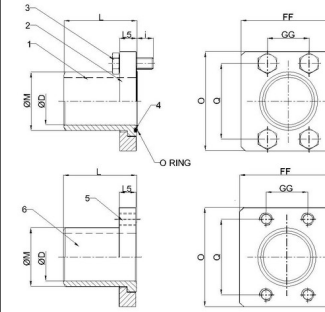


Hydraulic Flanges & Accessories

BUTTWELD SWIVEL FLANGE [62BWSF] Flange
Counter Flange | High Pressure Series (SAE CODE 62)



MOUNTING INTERFACE CONFIRMS TO ISO 6162



- Parts 62 BWSF Qty
- 1. Sleeve with Groove 1
 - 2. Flange 1
 - 3. Socket Head Cap Screw 4
 - 4. 'O' Ring 1

FLANGES
MODEL: BWSF

- Parts 62 BWSFC Qty
- 1. Counter Flange 1
 - 2. Sleeve Without Groove 1

COUNTER FLANGES
MODEL: BWSFC

Flange	Counter Flange	Size	Pipe Sch	PN Bar	Ã~M	Ã~D	O	Q	FF	GG	L5	i	L	'O' Ring	Cap Screw
62BWSF-21.3-160	62BWSFC-21.3-160	1/2"	160	414	21.3	12	56	40.5	48	18.2	18	12	55	19.0 X 3.55	M8 X 30
62BWSF-26.6-160	62BWSFC-26.6-160	3/4"	160	414	26.6	16	71	50.8	60	23.8	20	15	65	25.0 X 3.55	M10X30
62BWSF-33.4-160	62BWSFC-33.4-160	1"	160	401	33.4	21	81	57.2	70	27.8	27	18	85	32.5 X 3.55	M12X45
62BWSF-42.2-160	62BWSFC-42.2-160	1.1/4"	160	310	42.2	30	95	66.6	78	31.8	27	18	95	37.5 X 3.55	M12X45
62BWSF-42.2-XXS	62BWSFC-42.2-XXS	1.1/4"	XXS	414	42.2	23	95	66.6	78	31.8	27	18	95	37.5 X 3.55	M12X45
62BWSF-48.3-160	62BWSFC-48.3-160	1.1/2"	160	317	48.3	34	113	79.3	95	36.5	31	24	102	47.5 X 3.55	M16X55

62BWSF-48.3-XXS	62BWSFC-48.3-XXS	1.1/2"	XXS	414	48.3	28	113	79.3	95	36.5	31	24	102	47.5 X 3.55	M16X55
62BWSF-60.3-160	62BWSFC-60.3-160	2"	160	324	60.3	43	133	96.8	114	44.5	40	30	130	56.0 X 3.55	M20X75
62BWSF-60.3-XXS	62BWSFC-60.3-XXS	2"	XXS	414	60.3	38	133	96.8	114	44.5	40	30	130	56.0 X 3.55	M20X75
62BWSF-76.1-160	62BWSFC-73.0-160	2.1/2"	160	296	73.0	54	175	123.8	149	58.7	47	33	140	69.0 X 3.55	M22X80
62BWSF-76.1-XXS	62BWSFC-73.0-XXS	2.1/2"	XXS	414	73.0	45	175	123.8	149	58.7	47	33	140	69.0 X 3.55	M22X80
62BWSF-88.9-160	62BWSFC-88.9-160	3"	160	288	88.9	66	216	152.4	178	71.4	65	45	185	85.0 X 3.55	M30X110
62BWSF-88.9-XXS	62BWSFC-88.9-XXS	3"	XXS	414	88.9	58	216	152.4	178	71.4	65	45	185	85.0 X 3.55	M30X110