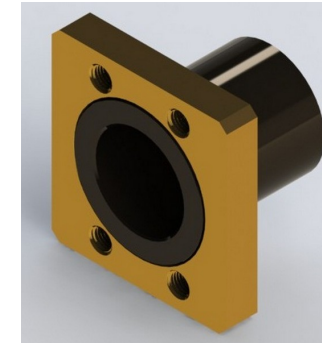
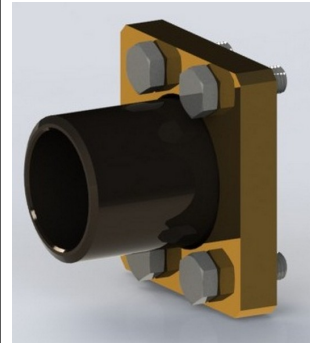


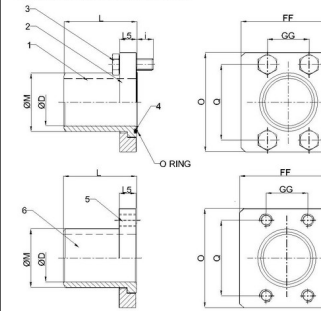


Hydraulic Flanges & Accessories

BUTTWELD SWIVEL FLANGE [61BWSF] Flange
Counter Flange | Standard Pressure Series (SAE CODE 61)



MOUNTING INTERFACE CONFIRMS TO ISO 6162



Parts 61 BWSF	Qty
1. Sleeve with Groove	1
2. Flange	1
3. Socket Head Cap Screw	4
4. 'O' Ring	1

FLANGES
MODEL: BWSF

Parts 61 BWSFC	Qty
1. Counter Flange	1
2. Sleeve Without Groove	1

COUNTER FLANGES
MODEL: BWSFC

Flange	Counter Flange	Size	Pipe Sch	PN Bar	Ã~M	Ã~D	O	Q	FF	GG	L5	i	L	'O' Ring	Cap Screw
61BWSF-21.3-80	61BWSFC-21.3-80	1/2"	80	288	21.3	14	54	38.1	46	17.5	13	12	46	19.0 X 3.55	M8 X 25
61BWSF-21.3-160	61BWSFC-21.3-160	1/2"	160	345	21.3	12	54	38.1	46	17.5	13	12	46	19.0 X 3.55	M8 X 25
61BWSF-26.6-80	61BWSFC-26.6-80	3/4"	80	246	26.6	19	65	47.6	52	22.3	15	15	55	25.0 X 3.55	M10X30
61BWSF-26.6-160	61BWSFC-26.6-160	3/4"	160	345	26.6	15	65	47.6	52	22.3	15	15	55	25.0 X 3.55	M10X30
61BWSF-33.4-80	61BWSFC-33.4-80	1"	80	246	33.4	24	70	52.4	59	26.2	15	15	55	32.5 X 3.55	M10X30
61BWSF-33.4-160	61BWSFC-33.4-160	1"	160	345	33.4	21	70	52.4	59	26.2	15	15	55	32.5 X 3.55	M10X30

61BWSF-42.2-80	61BWSFC-42.2-80	1.1/4"	80	211	42.2	32	79	58.7	73	30.2	15	15	65	37.5 X 3.55	M10X30
61BWSF-42.2-160	61BWSFC-42.2-160	1.1/4"	160	276	42.2	30	79	58.7	73	30.2	15	15	65	37.5 X 3.55	M10X30
61BWSF-48.3-80	61BWSFC-48.3-80	1.1/2"	80	197	48.3	38	94	69.9	83	35.7	17	18	65	47.5 X 3.55	M12X35
61BWSF-60.3-80	61BWSFC-60.3-80	2"	80	176	60.3	49	102	77.8	97	42.9	17	18	75	56.0 X 3.55	M12X35
61BWSF-60.3-160	61BWSFC-60.3-160	2"	160	207	60.3	43	102	77.8	97	42.9	17	18	75	56.0 X 3.55	M12X35
61BWSF-73.0-40	61BWSFC-73.0-40	2.1/2"	40	134	73.0	63	114	88.9	109	50.8	22	18	75	69.0 X 3.55	M12X35
61BWSF-73.0-80	61BWSFC-73.0-80	2.1/2"	80	172	73.0	59	114	88.9	109	50.8	22	18	75	69.0 X 3.55	M12X35
61BWSF-88.9-40	61BWSFC-88.9-40	3"	40	113	88.9	78	135	106.4	131	61.9	26	24	75	85.0 X 3.55	M16X50
61BWSF-88.9-80	61BWSFC-88.9-80	3"	80	138	88.9	74	135	106.4	131	61.9	26	24	75	85.0 X 3.55	M16X50
61BWSF-101.6-40	61BWSFC-101.6-40	3.1/2"	40	34	101.6	90	152	120.7	140	69.9	26	24	75	97.5 X 3.55	M16X50
61BWSF-114.3-40	61BWSFC-114.3-40	4"	40	34	114.3	102	162	130.2	152	77.8	26	24	85	112.0 X 3.55	M16X50
61BWSF-141.3-40	61BWSFC-141.3-40	5"	40	34	141.3	128	184	152.4	181	92.1	31	24	85	136.0 X 3.55	M16X55