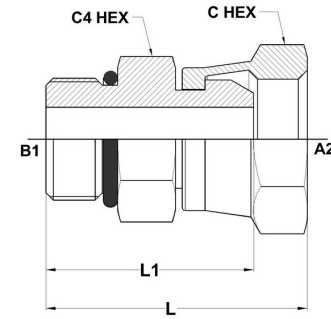
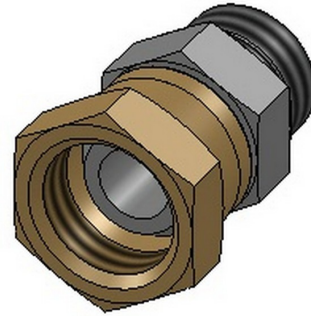




HYDROMATIK
connections par excellence

Tube Fittings & Adapters

MAORB-FPS Straight 6900-O Series | SAE# 140157



PART NO.SIZE	TUBE O.D.	B1 SAE ORB	A2 NPSM	B1 DRILL	A2 DRILL	L1 LGTH	L LGTH	C HEX	C4 HEX
6900-04-02-O	1/4	7/16-20	1/8-27	0.172	0.150	1.00	1.14	0.562	0.562
6900-04-04-O	1/4	7/16-20	1/4-18	0.172	0.220	1.11	1.30	0.688	0.562
6900-04-06-O	1/4	7/16-20	3/8-18	0.172	0.340	1.15	1.36	0.875	0.688
6900-04-08-O	1/4	7/16-20	1/2-14	0.172	0.460	1.21	1.49	1.000	0.812
6900-05-04-O	5/16	1/2-20	1/4-18	0.234	0.220	1.09	1.28	0.688	0.625
6900-05-08-O	5/16	1/2-20	1/2-14	0.234	0.460	1.30	1.58	1.000	0.812
6900-06-04-O	3/8	9/16-18	1/4-18	0.297	0.220	1.07	1.26	0.688	0.688
6900-06-06-O	3/8	9/16-18	3/8-18	0.297	0.340	1.25	1.46	0.875	0.875
6900-06-08-O	3/8	9/16-18	1/2-14	0.297	0.460	1.29	1.57	1.000	0.812
6900-08-04-O	1/2	3/4-16	1/4-18	0.391	0.220	1.17	1.36	0.688	0.875
6900-08-06-O	1/2	3/4-16	3/8-18	0.391	0.340	1.19	1.40	0.875	0.875
6900-08-08-O	1/2	3/4-16	1/2-14	0.391	0.460	1.27	1.55	1.000	0.875
6900-08-12-O	1/2	3/4-16	3/4-14	0.391	0.635	1.41	1.76	1.250	1.000
6900-10-06-O	5/8	7/8-14	3/8-18	0.484	0.340	1.26	1.47	0.875	1.000

6900-10-08-O	5/8	7/8-14	1/2-14	0.484	0.460	1.33	1.61	1.000	1.000
6900-10-12-O	5/8	7/8-14	3/4-14	0.484	0.635	1.37	1.72	1.250	1.000
6900-12-06-O	3/4	1-1/16-12	3/8-18	0.609	0.340	1.41	1.62	0.875	1.250
6900-12-08-O	3/4	1-1/16-12	1/2-14	0.609	0.460	1.45	1.73	1.000	1.250
6900-12-12-O	3/4	1-1/16-12	3/4-14	0.609	0.635	1.60	1.95	1.250	1.250
6900-12-16-O	3/4	1-1/16-12	1-11-1/2	0.609	0.831	1.70	2.05	1.500	1.250
6900-14-12-O	7/8	1-3/16-12	3/4-14	0.719	0.635	1.61	1.96	1.250	1.375
6900-14-16-O	7/8	1-3/16-12	1-11-1/2	0.719	0.831	1.60	1.95	1.500	1.500
6900-16-08-O	1	1-5/16-12	1/2-14	0.844	0.460	1.62	1.90	1.000	1.500
6900-16-12-O	1	1-5/16-12	3/4-14	0.844	0.635	1.73	2.08	1.250	1.500
6900-16-16-O	1	1-5/16-12	1-11-1/2	0.844	0.831	1.71	2.06	1.500	1.500
6900-16-20-O	1	1-5/16-12	1-1/4-11-1/2	0.844	1.087	1.90	2.32	1.875	1.875
6900-20-12-O	1-1/4	1-5/8-12	3/4-14	1.078	0.635	1.66	2.01	1.250	1.875
6900-20-16-O	1-1/4	1-5/8-12	1-11-1/2	1.078	0.831	1.79	2.14	1.500	1.875
6900-20-20-O	1-1/4	1-5/8-12	1-1/4-11-1/2	1.078	1.087	1.79	2.21	1.875	1.875
6900-24-20-O	1-1/2	1-7/8-12	1-1/4-11-1/2	1.312	1.087	1.75	2.17	1.875	2.125
6900-24-24-O	1-1/2	1-7/8-12	1-1/2-11-1/2	1.312	1.317	1.95	2.37	2.125	2.125
6900-32-32-O	2	2-1/2-12	2-11-1/2	1.781	1.802	2.00	2.42	2.625	2.750