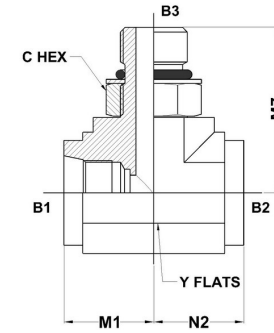
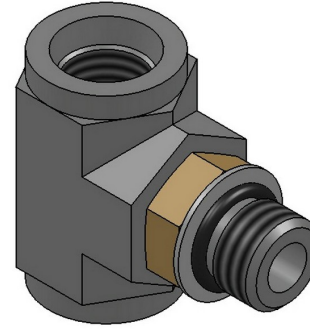




**HYDROMATIK**  
connections par excellence

## Tube Fittings & Adapters

### FORB-FORB-MAORB Tee 6832-NWO Series |



PART NO.SIZE	TUBE O.D.	B1 SAE ORB	B2 SAE ORB	B3 SAE ORB	B3 DRILL	M1 LGTH	N2 LGTH	M7 LGTH	C HEX	Y FLATS
6832-04-04-04-NWO-FG	1/4	7/16-20	7/16-20	7/16-20	0.172	0.63	0.63	1.23	0.563	0.750
6832-06-06-06-NWO-FG	3/8	9/16-18	9/16-18	9/16-18	0.297	0.75	0.75	1.38	0.688	0.875
6832-08-05-08-NWO-FG	1/2	3/4-16	1/2-20	3/4-16	0.391	0.88	0.88	1.59	0.875	1.062
6832-08-08-08-NWO-FG	1/2	3/4-16	3/4-16	3/4-16	0.391	0.88	0.88	1.59	0.875	1.062
6832-10-10-10-NWO-FG	5/8	7/8-14	7/8-14	7/8-14	0.484	1.02	1.02	1.81	1.000	1.062
6832-12-12-12-NWO-FG	3/4	1-1/16-12	1-1/16-12	1-1/16-12	0.609	1.21	1.21	2.00	1.250	1.312
6832-16-16-16-NWO-FG	1	1-5/16-12	1-5/16-12	1-5/16-12	0.844	1.33	1.33	2.25	1.500	1.625