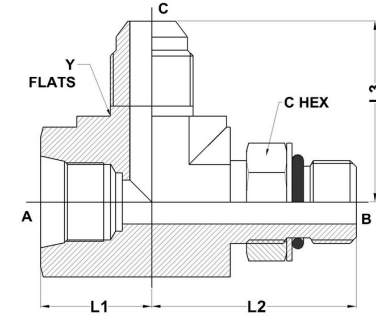
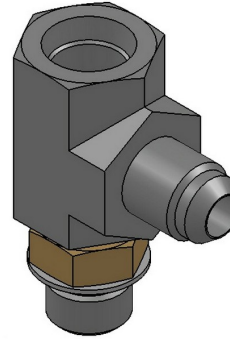




**HYDROMATIK**  
connections par excellence

## Tube Fittings & Adapters

**FORB-MAORB-MJ Tee 6820 Series** |



PART NO.SIZE	TUBE O.D.	A SAE ORB	B SAE ORB	C JIC 37	B DRILL	C DRILL	L1 LGTH	L2 LGTH	L3 LGTH	C HEX	Y FLATS
6820-06-06-06-NWO-FG	3/8	9/16-18	9/16-18	9/16-18	0.297	0.297	0.75	1.38	1.22	0.688	0.875
6820-06-12-12-NWO-FG	3/4	9/16-18	1-1/16-12	1-1/16-12	0.609	0.609	1.21	1.94	1.66	1.250	1.062