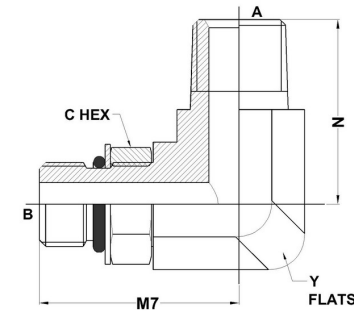
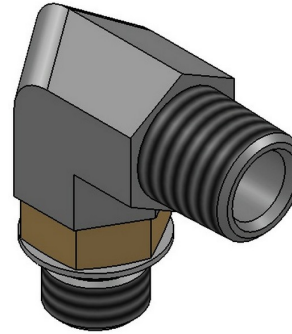




HYDROMATIK
connections par excellence

Tube Fittings & Adapters

MAORB-FP 90° 6806-NWO Series |



PART NO.SIZE	TUBE O.D.	B SAE ORB	A NPTF	B DRILL	A DRILL	M7 LGTH	N LGTH	C HEX	Y FLATS
6806-04-02-NWO-FG	1/4	7/16-20	1/8-27	0.172	0.188	1.03	0.72	0.563	0.438
6806-04-04-NWO-FG	1/4	7/16-20	1/4-18	0.172	0.281	1.19	1.09	0.563	0.562
6806-05-02-NWO-FG	5/16	1/2-20	1/8-27	0.234	0.188	1.13	0.78	0.625	0.562
6806-06-04-NWO-FG	3/8	9/16-18	1/4-18	0.297	0.281	1.25	1.09	0.688	0.562
6806-06-06-NWO-FG	3/8	9/16-18	3/8-18	0.297	0.406	1.32	1.22	0.688	0.750
6806-08-06-NWO-FG	1/2	3/4-16	3/8-18	0.391	0.406	1.45	1.22	0.875	0.750
6806-08-08-NWO-FG	1/2	3/4-16	1/2-14	0.391	0.531	1.54	1.47	0.875	0.875
6806-10-08-NWO-FG	5/8	7/8-14	1/2-14	0.484	0.531	1.70	1.47	1.000	0.875
6806-12-12-NWO-FG	3/4	1-1/16-12	3/4-14	0.609	0.719	1.94	1.59	1.250	1.062
6806-12-16-NWO-FG	3/4	1-1/16-12	1-11-1/2	0.609	0.938	2.05	1.97	1.250	1.312
6806-14-12-NWO-FG	7/8	1-3/16-12	3/4-14	0.719	0.719	2.00	1.69	1.375	1.312
6806-16-12-NWO-FG	1	1-5/16-12	3/4-14	0.844	0.719	2.05	1.78	1.500	1.312
6806-16-16-NWO-FG	1	1-5/16-12	1-11-1/2	0.844	0.938	2.05	1.97	1.500	1.312
6806-20-20-NWO-FG	1-1/4	1-5/8-12	1-1/4-11-1/2	1.078	1.250	2.25	2.38	1.875	1.625

6806-20-24-NWO-FG	1-1/4	1-5/8-12	1-1/2-11-1/2	1.078	1.500	2.39	2.64	1.875	1.875
6806-24-24-NWO-FG	1-1/2	1-7/8-12	1-1/2-11-1/2	1.312	1.500	2.39	2.64	2.125	1.875
6806-32-32-NWO-FG	2	2-1/2-12	2-11-1/2	1.781	1.938	2.89	3.00	2.750	2.500