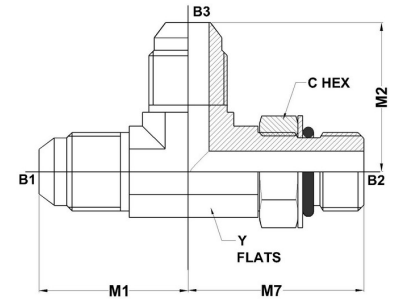
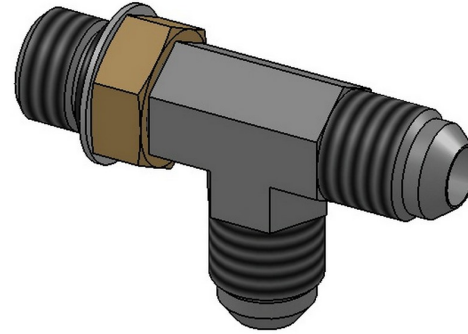




HYDROMATIK
connections par excellence

Tube Fittings & Adapters

MJ-MAORB-MJ Run Tee 6804-NWO Series | SAE# 070428 / MS# 51530



PART NO.SIZE	TUBE O.D.	B1 SAE 37	B2 SAE ORB	B3 SAE 37	B1 DRILL	B2 DRILL	B3 DRILL	M1 LGTH	M7 LGTH	M2 LGTH	C HEX	Y FLATS
6804-02-02-02-NWO-FG	1/8	5/16-24	5/16-24	5/16-24	0.062	0.062	0.062	0.77	0.94	0.77	0.438	0.438
6804-02-04-02-NWO-FG	1/8	5/16-24	7/16-20	5/16-24	0.062	0.172	0.062	0.89	1.03	0.89	0.563	0.438
6804-04-04-04-NWO-FG	1/4	7/16-20	7/16-20	7/16-20	0.172	0.172	0.172	0.89	1.03	0.89	0.563	0.438
6804-04-06-04-NWO-FG	1/4	7/16-20	9/16-18	7/16-20	0.172	0.297	0.172	1.05	1.25	1.05	0.688	0.562
6804-05-04-05-NWO-FG	5/16	1/2-20	7/16-20	1/2-20	0.234	0.172	0.234	0.95	1.13	0.95	0.563	0.562
6804-05-05-05-NWO-FG	5/16	1/2-20	1/2-20	1/2-20	0.234	0.234	0.234	0.95	1.13	0.95	0.625	0.562
6804-06-04-06-NWO-FG	3/8	9/16-18	7/16-20	9/16-18	0.297	0.172	0.297	1.06	1.19	1.06	0.563	0.562
6804-06-06-04-NWO-FG	3/8	9/16-18	9/16-18	7/16-20	0.297	0.297	0.172	1.06	1.25	1.06	0.688	0.562
6804-06-06-06-NWO-FG	3/8	9/16-18	9/16-18	9/16-18	0.297	0.297	0.297	1.06	1.25	1.06	0.688	0.562
6804-06-08-06-NWO-FG	3/8	9/16-18	3/4-16	9/16-18	0.297	0.391	0.297	1.14	1.45	1.14	0.875	0.750
6804-06-08-08-NWO-FG	3/8	9/16-18	3/4-16	3/4-16	0.297	0.391	0.391	1.14	1.45	1.25	0.875	0.750
6804-08-06-04-NWO-FG	1/2	3/4-16	9/16-18	7/16-20	0.391	0.297	0.172	1.25	1.32	1.25	0.688	0.750
6804-08-06-08-NWO-FG	1/2	3/4-16	9/16-18	3/4-16	0.391	0.297	0.391	1.25	1.32	1.25	0.688	0.750

6804-08-08-04-NWO-FG	1/2	3/4-16	3/4-16	7/16-20	0.391	0.391	0.172	1.25	1.45	1.12	0.875	0.750
6804-08-08-08-NWO-FG	1/2	3/4-16	3/4-16	3/4-16	0.391	0.391	0.391	1.25	1.45	1.25	0.875	0.750
6804-08-10-08-NWO-FG	1/2	3/4-16	7/8-14	3/4-16	0.391	0.484	0.391	1.33	1.70	1.33	1.000	0.875
6804-08-12-04-NWO-FG	1/2	3/4-16	1-1/16-12	7/16-20	0.391	0.609	0.172	1.42	1.94	1.30	1.250	1.062
6804-08-12-08-NWO-FG	1/2	3/4-16	1-1/16-12	3/4-16	0.391	0.609	0.391	1.42	1.94	1.42	1.250	1.062
6804-10-08-10-NWO-FG	5/8	7/8-14	3/4-16	7/8-14	0.484	0.391	0.484	1.45	1.54	1.45	0.875	0.875
6804-10-10-10-NWO-FG	5/8	7/8-14	7/8-14	7/8-14	0.484	0.484	0.484	1.45	1.70	1.45	1.000	0.875
6804-10-12-06-NWO-FG	5/8	7/8-14	1-1/16-12	9/16-18	0.484	0.609	0.297	1.54	1.94	1.54	1.250	1.062
6804-10-12-10-NWO-FG	5/8	7/8-14	1-1/16-12	7/8-14	0.484	0.609	0.484	1.54	1.94	1.54	1.250	1.062
6804-10-16-08-NWO-FG	5/8	7/8-14	1-5/16-12	3/4-16	0.484	0.844	0.391	1.64	2.05	1.64	1.500	1.312
6804-12-08-12-NWO-FG	3/4	1-1/16-12	3/4-16	1-1/16-12	0.609	0.391	0.609	1.66	1.62	1.66	0.875	1.062
6804-12-10-12-NWO-FG	3/4	1-1/16-12	7/8-14	1-1/16-12	0.609	0.484	0.609	1.66	1.78	1.66	1.000	1.062
6804-12-12-06-NWO-FG	3/4	1-1/16-12	1-1/16-12	9/16-18	0.609	0.609	0.297	1.66	1.94	1.66	1.250	1.062
6804-12-12-08-NWO-FG	3/4	1-1/16-12	1-1/16-12	3/4-16	0.609	0.609	0.391	1.66	1.94	1.42	1.250	1.062
6804-12-12-10-NWO-FG	3/4	1-1/16-12	1-1/16-12	7/8-14	0.609	0.609	0.484	1.66	1.94	1.66	1.250	1.062
6804-12-12-12-NWO-FG	3/4	1-1/16-12	1-1/16-12	1-1/16-12	0.609	0.609	0.609	1.66	1.94	1.66	1.250	1.062
6804-12-12-16-NWO-FG	3/4	1-1/16-12	1-1/16-12	1-5/16-12	0.609	0.609	0.844	1.76	2.05	1.76	1.250	1.312
6804-12-16-12-NWO-FG	3/4	1-1/16-12	1-5/16-12	1-1/16-12	0.609	0.844	0.609	1.76	2.05	1.76	1.500	1.312
6804-14-14-14-NWO-FG	7/8	1-3/16-12	1-3/16-12	1-3/16-12	0.719	0.719	0.719	1.80	2.00	1.80	1.375	1.312
6804-16-12-16-NWO-FG	1	1-5/16-12	1-1/16-12	1-5/16-12	0.844	0.609	0.844	1.81	2.05	1.81	1.250	1.312
6804-16-16-12-NWO-FG	1	1-5/16-12	1-5/16-12	1-1/16-12	0.844	0.844	0.609	1.81	2.05	1.81	1.500	1.312
6804-16-16-16-NWO-FG	1	1-5/16-12	1-5/16-12	1-5/16-12	0.844	0.844	0.844	1.81	2.05	1.81	1.500	1.312
6804-20-20-20-NWO-FG	1-1/4	1-5/8-12	1-5/8-12	1-5/8-12	1.078	1.078	1.078	2.06	2.25	2.06	1.875	1.625

6804-24-24-24-NWO-FG	1-1/2	1-7/8-12	1-7/8-12	1-7/8-12	1.312	1.312	1.312	2.33	2.39	2.33	2.125	1.875
6804-32-32-32-NWO-FG	2	2-1/2-12	2-1/2-12	2-1/2-12	1.781	1.781	1.781	3.06	2.89	3.06	2.750	2.500