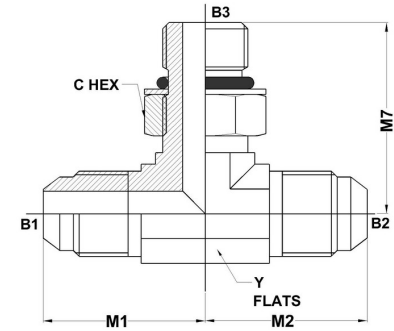
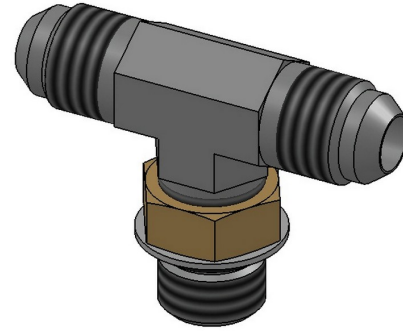




**HYDROMATIK**  
connections par excellence

## Tube Fittings & Adapters

**MJ-MJ-MAORB Branch Tee** 6803-NWO Series | SAE# 070429 / MS# 51529



PART NO.SIZE	TUBE O.D.	B1 SAE 37	B2 SAE 37	B3 SAE ORB	B1 DRILL	B2 DRILL	B3 DRILL	M1 LGTH	M2 LGTH	M7 LGTH	C HEX	Y FLATS
6803-02-02-02-NWO-FG	1/8	5/16-24	5/16-24	5/16-24	0.062	0.062	0.062	0.77	0.77	0.94	0.438	0.438
6803-04-04-04-NWO-FG	1/4	7/16-20	7/16-20	7/16-20	0.172	0.172	0.172	0.89	0.89	1.03	0.563	0.438
6803-04-04-06-NWO-FG	1/4	7/16-20	7/16-20	9/16-18	0.172	0.172	0.297	1.05	1.05	1.25	0.688	0.562
6803-05-05-05-NWO-FG	5/16	1/2-20	1/2-20	1/2-20	0.234	0.234	0.234	0.95	0.95	1.13	0.625	0.562
6803-06-06-04-NWO-FG	3/8	9/16-18	9/16-18	7/16-20	0.297	0.297	0.172	1.06	1.06	1.19	0.563	0.562
6803-06-06-05-NWO-FG	3/8	9/16-18	9/16-18	1/2-20	0.297	0.297	0.234	1.06	1.06	1.25	0.625	0.562
6803-06-06-06-NWO-FG	3/8	9/16-18	9/16-18	9/16-18	0.297	0.297	0.297	1.06	1.06	1.25	0.688	0.562
6803-06-06-08-NWO-FG	3/8	9/16-18	9/16-18	3/4-16	0.297	0.297	0.391	1.14	1.14	1.45	0.875	0.750
6803-06-06-12-NWO-FG	3/8	9/16-18	9/16-18	1-1/16-12	0.297	0.297	0.609	1.31	1.31	1.94	1.250	1.062
6803-08-08-06-NWO-FG	1/2	3/4-16	3/4-16	9/16-18	0.391	0.391	0.297	1.25	1.25	1.32	0.688	0.750
6803-08-08-08-NWO-FG	1/2	3/4-16	3/4-16	3/4-16	0.391	0.391	0.391	1.25	1.25	1.45	0.875	0.750
6803-08-08-10-NWO-FG	1/2	3/4-16	3/4-16	7/8-14	0.391	0.391	0.484	1.33	1.33	1.70	1.000	0.875
6803-08-08-12-NWO-FG	1/2	3/4-16	3/4-16	1-1/16-12	0.391	0.391	0.609	1.42	1.42	1.94	1.250	1.062

6803-10-10-08-NWO-FG	5/8	7/8-14	7/8-14	3/4-16	0.484	0.484	0.391	1.45	1.45	1.54	0.875	0.875
6803-10-10-10-NWO-FG	5/8	7/8-14	7/8-14	7/8-14	0.484	0.484	0.484	1.45	1.45	1.70	1.000	0.875
6803-10-10-12-NWO-FG	5/8	7/8-14	7/8-14	1-1/16-12	0.484	0.484	0.609	1.54	1.54	1.94	1.250	1.062
6803-10-10-16-NWO-FG	5/8	7/8-14	7/8-14	1-5/16-12	0.484	0.484	0.844	1.64	1.64	2.05	1.500	1.312
6803-12-12-08-NWO-FG	3/4	1-1/16-12	1-1/16-12	3/4-16	0.609	0.609	0.391	1.66	1.66	1.62	0.875	1.062
6803-12-12-10-NWO-FG	3/4	1-1/16-12	1-1/16-12	7/8-14	0.609	0.609	0.484	1.66	1.66	1.78	1.000	1.062
6803-12-12-12-NWO-FG	3/4	1-1/16-12	1-1/16-12	1-1/16-12	0.609	0.609	0.609	1.66	1.66	1.94	1.250	1.062
6803-12-12-16-NWO-FG	3/4	1-1/16-12	1-1/16-12	1-5/16-12	0.609	0.609	0.844	1.76	1.76	2.05	1.500	1.312
6803-14-14-14-NWO-FG	7/8	1-3/16-12	1-3/16-12	1-3/16-12	0.719	0.719	0.719	1.80	1.80	2.00	1.375	1.312
6803-16-12-16-NWO-FG	1	1-5/16-12	1-1/16-12	1-5/16-12	0.844	0.609	0.844	1.81	1.76	2.05	1.500	1.312
6803-16-16-12-NWO-FG	1	1-5/16-12	1-5/16-12	1-1/16-12	0.844	0.844	0.609	1.81	1.81	2.05	1.250	1.312
6803-16-16-16-NWO-FG	1	1-5/16-12	1-5/16-12	1-5/16-12	0.844	0.844	0.844	1.81	1.81	2.05	1.500	1.312
6803-20-20-20-NWO-FG	1-1/4	1-5/8-12	1-5/8-12	1-5/8-12	1.078	1.078	1.078	2.06	2.06	2.25	1.875	1.625
6803-24-24-24-NWO-FG	1-1/2	1-7/8-12	1-7/8-12	1-7/8-12	1.312	1.312	1.312	2.33	2.33	2.39	2.125	1.875
6803-32-32-32-NWO-FG	2	2-1/2-12	2-1/2-12	2-1/2-12	1.781	1.781	1.781	3.06	3.06	2.89	2.750	2.500