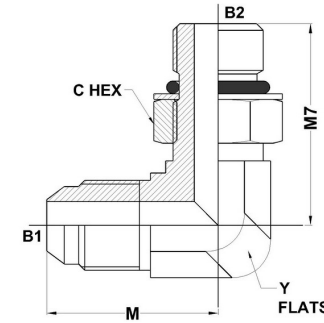
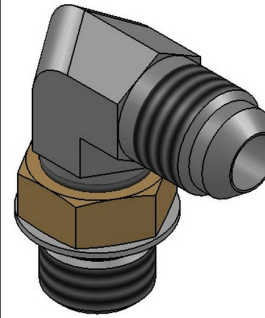




HYDROMATIK
connections par excellence

Tube Fittings & Adapters

MJ-MAORB 90° 6801-NWO Series | SAE# 070220 / MS# 51527



PART NO.SIZE	TUBE O.D.	B1 SAE 37	B2 SAE ORB	B1 DRILL	B2 DRILL	M LGTH	M7 LGTH	C HEX	Y FLATS
6801-02-02-NWO-FG	1/8	5/16-24	5/16-24	0.062	0.062	0.77	0.94	0.438	0.438
6801-02-04-NWO-FG	1/8	5/16-24	7/16-20	0.062	0.172	0.78	1.03	0.563	0.438
6801-03-03-NWO-FG	3/16	3/8-24	3/8-24	0.125	0.125	0.83	0.94	0.500	0.438
6801-03-04-NWO-FG	3/16	3/8-24	7/16-20	0.125	0.172	0.81	1.03	0.563	0.438
6801-04-02-NWO-FG	1/4	7/16-20	5/16-24	0.172	0.062	0.89	0.92	0.438	0.438
6801-04-03-NWO-FG	1/4	7/16-20	3/8-24	0.172	0.125	0.89	0.92	0.500	0.438
6801-04-04-NWO-FG	1/4	7/16-20	7/16-20	0.172	0.172	0.89	1.03	0.563	0.438
6801-04-05-NWO-FG	1/4	7/16-20	1/2-20	0.172	0.234	0.95	1.13	0.625	0.562
6801-04-06-NWO-FG	1/4	7/16-20	9/16-18	0.172	0.297	1.05	1.25	0.688	0.562
6801-04-08-NWO-FG	1/4	7/16-20	3/4-16	0.172	0.391	1.12	1.45	0.875	0.750
6801-05-04-NWO-FG	5/16	1/2-20	7/16-20	0.234	0.172	0.95	1.13	0.563	0.562
6801-05-05-NWO-FG	5/16	1/2-20	1/2-20	0.234	0.234	0.95	1.13	0.625	0.562
6801-05-06-NWO-FG	5/16	1/2-20	9/16-18	0.234	0.297	1.05	1.25	0.688	0.562
6801-05-08-NWO-FG	5/16	1/2-20	3/4-16	0.234	0.391	1.12	1.45	0.875	0.750

6801-05-10-NWO-FG	5/16	1/2-20	7/8-14	0.234	0.484	1.21	1.70	1.000	0.875
6801-06-02-NWO-FG	3/8	9/16-18	5/16-24	0.297	0.062	1.06	1.08	0.438	0.562
6801-06-04-NWO-FG	3/8	9/16-18	7/16-20	0.297	0.172	1.06	1.19	0.563	0.562
6801-06-05-NWO-FG	3/8	9/16-18	1/2-20	0.297	0.234	1.06	1.19	0.625	0.562
6801-06-06-NWO-FG	3/8	9/16-18	9/16-18	0.297	0.297	1.06	1.25	0.688	0.562
6801-06-08-NWO-FG	3/8	9/16-18	3/4-16	0.297	0.391	1.14	1.45	0.875	0.750
6801-06-10-NWO-FG	3/8	9/16-18	7/8-14	0.297	0.484	1.22	1.70	1.000	0.875
6801-06-12-NWO-FG	3/8	9/16-18	1-1/16-12	0.297	0.609	1.31	1.94	1.250	1.062
6801-08-04-NWO-FG	1/2	3/4-16	7/16-20	0.391	0.172	1.25	1.26	0.563	0.750
6801-08-05-NWO-FG	1/2	3/4-16	1/2-20	0.391	0.234	1.25	1.26	0.625	0.750
6801-08-06-NWO-FG	1/2	3/4-16	9/16-18	0.391	0.297	1.25	1.32	0.688	0.750
6801-08-08-NWO-FG	1/2	3/4-16	3/4-16	0.391	0.391	1.25	1.45	0.875	0.750
6801-08-10-NWO-FG	1/2	3/4-16	7/8-14	0.391	0.484	1.33	1.70	1.000	0.875
6801-08-12-NWO-FG	1/2	3/4-16	1-1/16-12	0.391	0.609	1.42	1.94	1.250	1.062
6801-08-16-NWO-FG	1/2	3/4-16	1-5/16-12	0.391	0.844	1.52	2.05	1.500	1.312
6801-10-06-NWO-FG	5/8	7/8-14	9/16-18	0.484	0.297	1.45	1.41	0.688	0.875
6801-10-08-NWO-FG	5/8	7/8-14	3/4-16	0.484	0.391	1.45	1.54	0.875	0.875
6801-10-10-NWO-FG	5/8	7/8-14	7/8-14	0.484	0.484	1.45	1.70	1.000	0.875
6801-10-12-NWO-FG	5/8	7/8-14	1-1/16-12	0.484	0.609	1.54	1.94	1.250	1.062
6801-10-14-NWO-FG	5/8	7/8-14	1-3/16-12	0.484	0.719	1.65	2.00	1.375	1.312
6801-10-16-NWO-FG	5/8	7/8-14	1-5/16-12	0.484	0.844	1.64	2.05	1.500	1.312
6801-10-20-NWO-FG	5/8	7/8-14	1-5/8-12	0.484	1.078	1.84	2.25	1.875	1.625
6801-12-06-NWO-FG	3/4	1-1/16-12	9/16-18	0.609	0.297	1.66	1.49	0.688	1.062

6801-12-08-NWO-FG	3/4	1-1/16-12	3/4-16	0.609	0.391	1.66	1.62	0.875	1.062
6801-12-10-NWO-FG	3/4	1-1/16-12	7/8-14	0.609	0.484	1.66	1.78	1.000	1.062
6801-12-12-NWO-FG	3/4	1-1/16-12	1-1/16-12	0.609	0.609	1.66	1.94	1.250	1.062
6801-12-14-NWO-FG	3/4	1-1/16-12	1-3/16-12	0.609	0.719	1.77	2.00	1.375	1.312
6801-12-16-NWO-FG	3/4	1-1/16-12	1-5/16-12	0.609	0.844	1.76	2.05	1.500	1.312
6801-12-20-NWO-FG	3/4	1-1/16-12	1-5/8-12	0.609	1.078	1.97	2.25	1.875	1.625
6801-14-12-NWO-FG	7/8	1-3/16-12	1-1/16-12	0.719	0.609	1.80	2.00	1.250	1.312
6801-14-14-NWO-FG	7/8	1-3/16-12	1-3/16-12	0.719	0.719	1.80	2.00	1.375	1.312
6801-14-16-NWO-FG	7/8	1-3/16-12	1-5/16-12	0.719	0.844	1.79	2.05	1.500	1.312
6801-16-08-NWO-FG	1	1-5/16-12	3/4-16	0.844	0.391	1.81	1.73	0.875	1.312
6801-16-10-NWO-FG	1	1-5/16-12	7/8-14	0.844	0.484	1.81	1.89	1.000	1.312
6801-16-12-NWO-FG	1	1-5/16-12	1-1/16-12	0.844	0.609	1.81	2.05	1.250	1.312
6801-16-14-NWO-FG	1	1-5/16-12	1-3/16-12	0.844	0.719	1.81	2.05	1.375	1.312
6801-16-16-NWO-FG	1	1-5/16-12	1-5/16-12	0.844	0.844	1.81	2.05	1.500	1.312
6801-16-20-NWO-FG	1	1-5/16-12	1-5/8-12	0.844	1.078	2.01	2.25	1.875	1.625
6801-16-24-NWO-FG	1	1-5/16-12	1-7/8-12	0.844	1.312	2.16	2.39	2.125	1.875
6801-20-12-NWO-FG	1-1/4	1-5/8-12	1-1/16-12	1.078	0.609	2.06	2.25	1.250	1.625
6801-20-14-NWO-FG	1-1/4	1-5/8-12	1-3/16-12	1.078	0.719	2.06	2.25	1.375	1.625
6801-20-16-NWO-FG	1-1/4	1-5/8-12	1-5/16-12	1.078	0.844	2.06	2.25	1.500	1.625
6801-20-20-NWO-FG	1-1/4	1-5/8-12	1-5/8-12	1.078	1.078	2.06	2.25	1.875	1.625
6801-20-24-NWO-FG	1-1/4	1-5/8-12	1-7/8-12	1.078	1.312	2.20	2.39	2.125	1.875
6801-24-16-NWO-FG	1-1/2	1-7/8-12	1-5/16-12	1.312	0.844	2.33	2.39	1.500	1.875
6801-24-20-NWO-FG	1-1/2	1-7/8-12	1-5/8-12	1.132	1.078	2.33	2.39	1.875	1.875

6801-24-24-NWO-FG	1-1/2	1-7/8-12	1-7/8-12	1.312	1.312	2.33	2.39	2.125	1.875
6801-24-32-NWO-FG	2	1-7/8-12	2-1/2-12	1.312	1.781	2.81	2.89	2.750	2.500
6801-32-24-NWO-FG	2	2-1/2-12	1-7/8-12	1.781	1.312	3.06	2.89	2.125	2.500
6801-32-32-NWO-FG	2	2-1/2-12	2-1/2-12	1.781	1.781	3.06	2.89	2.750	2.500