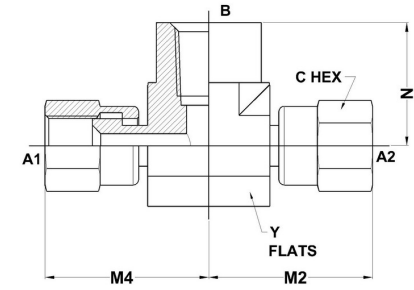
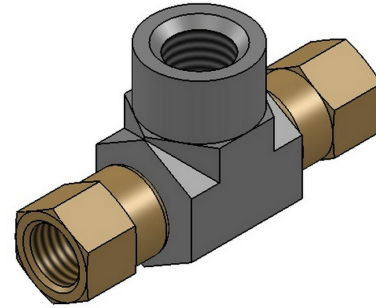




HYDROMATIK
connections par excellence

Tube Fittings & Adapters

FJS-FJS-FP Tee 6605 Series |



| PART NO.SIZE | TUBE O.D. | A1 SAE37 | A2 SAE37 | B NPTF | A1 DRILL | A2 DRILL | M4 LGTH | M2 LGTH | N LGTH | C HEX | Y FLATS |
|------------------|-----------|----------|----------|--------|----------|----------|---------|---------|--------|-------|---------|
| 6605-04-04-04-FG | 1/4 | 7/16-20 | 7/16-20 | 1/4-18 | 0.172 | 0.172 | 0.83 | 1.18 | 0.88 | 0.563 | 0.750 |