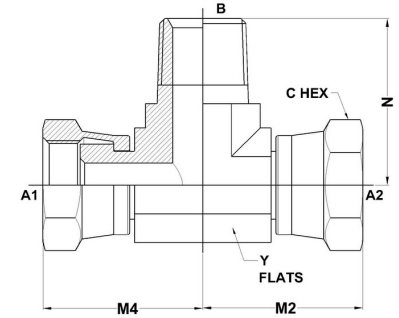
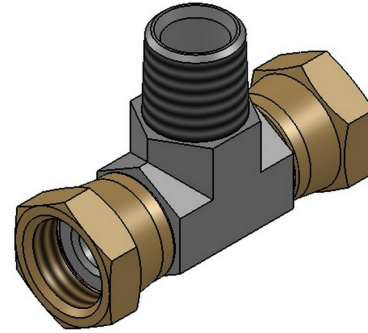




**HYDROMATIK**  
connections par excellence

## Tube Fittings & Adapters

### FJS-FJS-MP Tee 6604 Series |



PART NO.SIZE	TUBE .O.D.	A1 SAE 37	A2 SAE 37	B NPTF	A1 DRILL	A2 DRILL	B DRILL	M4 LGTH	M2 LGTH	N LGTH	C HEX	Y FLATS
6604-06-06-06-FG	3/8	9/16-18	9/16-18	3/8-18	0.297	0.297	0.406	0.90	1.28	1.22	0.688	0.750
6604-12-12-12-FG	3/4	1-1/16-12	1-1/16-12	3/4-14	0.609	0.609	0.719	1.18	1.75	1.59	1.250	1.062
6604-04-04-04-FG	1/4	7/16-20	7/16-20	1/4-18	0.172	0.172	0.281	0.79	1.14	1.09	0.562	0.562
6604-08-08-08-FG	1/2	3/4-16	3/4-16	1/2-14	0.391	0.391	0.531	1.08	1.51	1.47	0.875	0.875
6604-16-16-16-FG	1	1-5/16-12	1-5/16-12	1-11-1/2	0.844	0.844	0.938	1.40	2.00	1.97	1.500	1.312