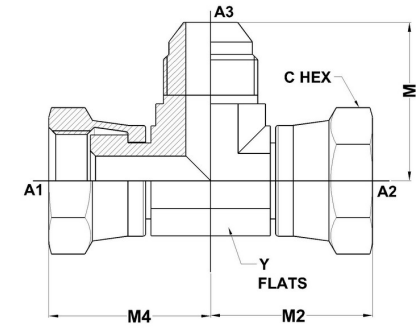
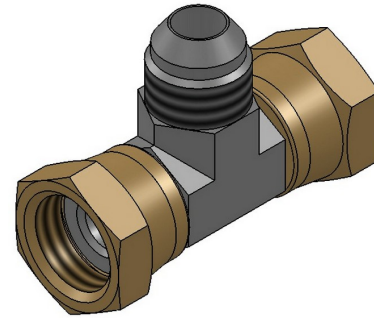




HYDROMATIK
connections par excellence

Tube Fittings & Adapters

FJS-FJS-MJ Tee 6603 Series |



PART NO.SIZE	TUBE O.D.	A1 SAE 37	A2 SAE 37	A3 SAE 37	A1 DRILL	A2 DRILL	A3 DRILL	M4 LGTH	M2 LGTH	M LGTH	C HEX	Y FLATS
6603-04-04-04-FG	1/4	7/16-20	7/16-20	7/16-20	0.172	0.172	0.172	0.65	1.00	0.89	0.563	0.438
6603-06-06-06-FG	3/8	9/16-18	9/16-18	9/16-18	0.297	0.297	0.297	0.87	1.25	1.06	0.688	0.562
6603-08-08-08-FG	1/2	3/4-16	3/4-16	3/4-16	0.391	0.391	0.391	0.95	1.38	1.25	0.875	0.750
6603-10-10-10-FG	5/8	7/8-14	7/8-14	7/8-14	0.484	0.484	0.484	1.12	1.62	1.45	1.000	0.875
6603-12-12-12-FG	3/4	1-1/16-12	1-1/16-12	1-1/16-12	0.609	0.609	0.609	1.18	1.75	1.66	1.250	1.062
6603-16-16-16-FG	1	1-5/16-12	1-5/16-12	1-5/16-12	0.844	0.844	0.844	1.40	2.00	1.81	1.500	1.312