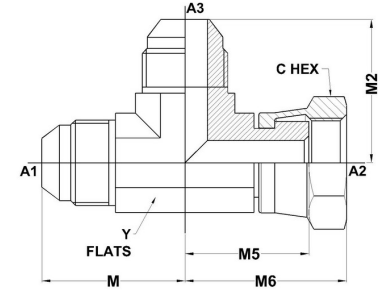
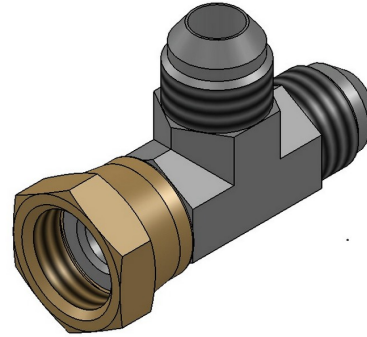




**HYDROMATIK**  
connections par excellence

## Tube Fittings & Adapters

**MJ-FJS-MJ Tee** 6602 Series | SAE# 070432 / MS# 51523



PART NO.SIZE	A1 TUBE O.D.	A2 TUBE O.D.	A1 SAE 37	A2 SAE 37	A3 SAE 37	A1 DRILL	A2 DRILL	A3 DRILL	M LGTH	M5 LGTH	M6 LGTH	M2 LGTH	C HEX	Y HEX
6602-03-03-03-FG	3/16	3/16	3/8-24	3/8-24	3/8-24	0.125	0.125	0.125	0.83	0.67	1.00	0.83	0.500	0.438
6602-04-04-04-FG	1/4	1/4	7/16-20	7/16-20	7/16-20	0.172	0.172	0.172	0.89	0.65	1.00	0.89	0.563	0.438
6602-04-06-06-FG	1/4	3/8	7/16-20	9/16-18	9/16-18	0.172	0.297	0.297	1.05	0.87	1.25	1.06	0.688	0.562
6602-04-10-10-FG	1/4	5/8	7/16-20	7/8-14	7/8-14	0.172	0.484	0.484	1.21	1.05	1.62	1.45	1.000	0.875
6602-04-12-12-FG	1/4	3/4	7/16-20	1-1/16-12	1-1/16-12	0.172	0.609	0.609	1.30	1.18	1.75	1.66	1.250	1.062
6602-05-05-04-FG	5/16	1/4	1/2-20	1/2-20	7/16-20	0.234	0.234	0.172	0.95	0.68	1.06	0.95	0.625	0.562
6602-05-05-05-FG	5/16	5/16	1/2-20	1/2-20	1/2-20	0.234	0.234	0.234	0.95	0.68	1.06	0.95	0.625	0.562
6602-06-06-06-FG	3/8	3/8	9/16-18	9/16-18	9/16-18	0.297	0.297	0.297	1.06	0.87	1.25	1.06	0.688	0.562
6602-06-06-04-FG	3/8	1/4	9/16-18	9/16-18	7/16-20	0.297	0.297	0.172	1.06	0.87	1.25	1.05	0.688	0.562
6602-06-08-06-FG	3/8	1/2	9/16-18	3/4-16	9/16-18	0.297	0.391	0.297	1.14	1.08	1.38	1.14	0.875	0.750
6602-06-08-08-FG	3/8	1/2	9/16-18	3/4-16	3/4-16	0.297	0.391	0.391	1.14	1.08	1.38	1.25	0.875	0.750
6602-08-08-04-FG	1/2	1/4	3/4-16	3/4-16	7/16-20	0.391	0.391	0.172	1.25	1.08	1.38	1.25	0.875	0.750
6602-08-08-05-FG	1/2	5/16	3/4-16	3/4-16	1/2-20	0.391	0.391	0.234	1.25	1.08	1.38	1.12	0.875	0.750
6602-08-08-06-FG	1/2	3/8	3/4-16	3/4-16	9/16-18	0.391	0.391	0.297	1.25	1.08	1.38	1.14	0.875	0.750

6602-08-08-08-FG	1/2	1/2	3/4-16	3/4-16	3/4-16	0.391	0.391	0.391	1.25	1.08	1.38	1.25	0.875	0.750
6602-08-08-12-FG	1/2	3/4	3/4-16	3/4-16	1-1/16-12	0.391	0.391	0.609	1.42	1.12	1.55	1.42	0.875	1.062
6602-08-12-12-FG	1/2	3/4	3/4-16	1-1/16-12	1-1/16-12	0.391	0.609	0.609	1.42	1.18	1.75	1.66	1.250	1.062
6602-08-20-20-FG	1/2	1-1/4	3/4-16	1-5/8-12	1-5/8-12	0.391	1.078	1.078	1.72	1.67	2.31	2.06	2.000	1.625
6602-10-10-10-FG	5/8	5/8	7/8-14	7/8-14	7/8-14	0.484	0.484	0.484	1.45	1.12	1.62	1.45	1.000	0.875
6602-10-10-12-FG	5/8	3/4	7/8-14	7/8-14	1-1/16-12	0.484	0.484	0.609	1.33	1.03	1.53	1.33	1.000	1.062
6602-12-12-04-FG	3/4	1/4	1-1/16-12	1-1/16-12	7/16-20	0.609	0.609	0.172	1.66	1.18	1.75	1.66	1.250	1.062
6602-12-12-12-FG	3/4	3/4	1-1/16-12	1-1/16-12	1-1/16-12	0.609	0.609	0.609	1.66	1.18	1.75	1.66	1.250	1.062
6602-14-14-14-FG	7/8	7/8	1-3/16-12	1-3/16-12	1-3/16-12	0.719	0.719	0.719	1.80	1.20	1.78	1.80	1.375	1.312
6602-16-16-10-FG	1	5/8	1-5/16-12	1-5/16-12	7/8-14	0.844	0.844	0.484	1.81	1.40	2.00	1.81	1.500	1.312
6602-16-16-12-FG	1	3/4	1-5/16-12	1-5/16-12	1-1/16-12	0.844	0.844	0.609	1.81	1.40	2.00	1.81	1.500	1.312
6602-16-16-16-FG	1	1	1-5/16-12	1-5/16-12	1-5/16-12	0.844	0.844	0.844	1.81	1.40	2.00	1.81	1.500	1.312
6602-16-20-20-FG	1	1-1/4	1-5/16-12	1-5/8-12	1-5/8-12	0.844	1.078	1.078	2.01	1.67	2.31	2.06	2.000	1.625
6602-20-20-20-FG	1-1/4	1-1/4	1-5/8-12	1-5/8-12	1-5/8-12	1.078	1.078	1.078	2.06	1.67	2.31	2.06	2.000	1.625
6602-24-24-24-FG	1-1/2	1-1/2	1-7/8-12	1-7/8-12	1-7/8-12	1.312	1.312	1.312	2.33	1.87	2.59	2.33	2.250	1.875
6602-32-32-32-FG	2	2	2-1/2-12	2-1/2-12	2-1/2-12	1.781	1.781	1.781	3.06	2.43	3.38	3.06	2.875	2.500