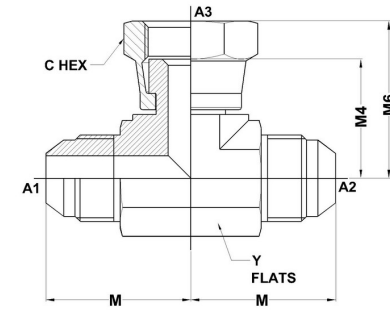
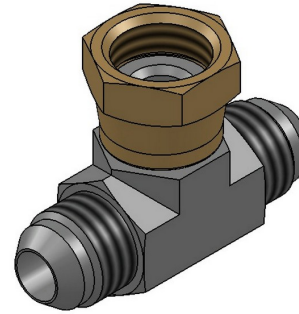




HYDROMATIK
connections par excellence

Tube Fittings & Adapters

MJ-MJ-FJS Tee 6600 Series | SAE# 070433 / MS# 51524



PART NO.SIZE	TUBE O.D.	A1 SAE 37	A2 SAE 37	A3 SAE 37	A1 DRILL	A2 DRILL	A3 DRILL	M LGTH	M4 LGTH	M6 LGTH	C HEX	Y FLATS
6600-02-02-02-FG	1/8	5/16-24	5/16-24	5/16-24	0.062	0.062	0.062	0.77	0.66	0.97	0.438	0.438
6600-03-03-03-FG	3/16	3/8-24	3/8-24	3/8-24	0.125	0.125	0.125	0.83	0.67	1.00	0.500	0.438
6600-04-04-04-FG	1/4	7/16-20	7/16-20	7/16-20	0.172	0.172	0.172	0.89	0.65	1.00	0.563	0.438
6600-05-05-05-FG	5/16	1/2-20	1/2-20	1/2-20	0.234	0.234	0.234	0.95	0.68	1.06	0.625	0.562
6600-06-06-06-FG	3/8	9/16-18	9/16-18	9/16-18	0.297	0.297	0.297	1.06	0.87	1.25	0.688	0.562
6600-06-06-08-FG	3/8	9/16-18	9/16-18	3/4-16	0.297	0.297	0.391	1.14	0.95	1.38	0.875	0.750
6600-08-08-08-FG	1/2	3/4-16	3/4-16	3/4-16	0.391	0.391	0.391	1.25	0.95	1.38	0.875	0.750
6600-10-10-10-FG	5/8	7/8-14	7/8-14	7/8-14	0.484	0.484	0.484	1.45	1.12	1.62	1.000	0.875
6600-12-12-10-FG	3/4	1-1/16-12	1-1/16-12	7/8-14	0.609	0.609	0.484	1.66	1.16	1.66	1.000	1.062
6600-12-12-12-FG	3/4	1-1/16-12	1-1/16-12	1-1/16-12	0.609	0.609	0.609	1.66	1.18	1.75	1.250	1.062
6600-14-14-14-FG	7/8	1-3/16-12	1-3/16-12	1-3/16-12	0.719	0.719	0.719	1.80	1.20	1.78	1.375	1.312
6600-16-16-16-FG	1	1-5/16-12	1-5/16-12	1-5/16-12	0.844	0.844	0.844	1.81	1.40	2.00	1.500	1.312
6600-20-20-20-FG	1-1/4	1-5/8-12	1-5/8-12	1-5/8-12	1.078	1.078	1.078	2.06	1.67	2.31	2.000	1.625
6600-24-24-24-FG	1-1/2	1-7/8-12	1-7/8-12	1-7/8-12	1.312	1.312	1.312	2.33	1.87	2.59	2.250	1.875

6600-32-32-32-FG	2	2-1/2-12	2-1/2-12	2-1/2-12	1.781	1.781	1.781	3.06	2.43	3.38	2.875	2.500
------------------	---	----------	----------	----------	-------	-------	-------	------	------	------	-------	-------