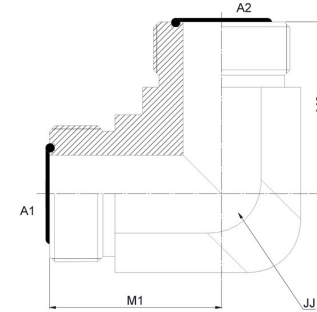
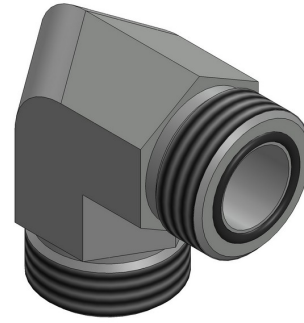




HYDROMATIK
connections par excellence

O-Ring Face Seal Fittings

MFS-MFS 90° FS2500 Series | SAE# 520201



PART NO.SIZE	A1 TUBE O.D.	A2 TUBE O.D.	A1 THREAD	A2 THREAD	A1 DRILL	A2 DRILL	M1 LGTH	M2 LGTH	JJ FLATS
FS2500-04-04-FG	1/4	1/4	9/16-18	9/16-18	0.172	0.172	0.85	0.85	0.562
FS2500-06-06-FG	3/8	3/8	11/16-16	11/16-16	0.264	0.264	0.98	0.98	0.750
FS2500-08-08-FG	1/2	1/2	13/16-16	13/16-16	0.378	0.378	1.10	1.10	0.750
FS2500-10-10-FG	5/8	5/8	1-14	1-14	0.484	0.484	1.31	1.31	1.062
FS2500-12-08-FG	3/4	1/2	1-3/16-12	13/16-16	0.609	0.378	1.47	1.32	1.188
FS2500-12-12-FG	3/4	3/4	1-3/16-12	1-3/16-12	0.609	0.609	1.47	1.47	1.188
FS2500-16-12-FG	1	3/4	1-7/16-12	1-3/16-12	0.811	0.609	1.64	1.62	1.438
FS2500-16-16-FG	1	1	1-7/16-12	1-7/16-12	0.811	0.811	1.64	1.64	1.438
FS2500-20-16-FG	1-1/4	1	1-11/16-12	1-7/16-12	1.024	0.811	1.76	1.76	1.625
FS2500-20-20-FG	1-1/4	1-1/4	1-11/16-12	1-11/16-12	1.024	1.024	1.76	1.76	1.625
FS2500-24-20-FG	1-1/2	1-1/4	2-12	1-11/16-12	1.260	1.024	1.92	1.92	1.875
FS2500-24-24-FG	1-1/2	1-1/2	2-12	2-12	1.260	1.260	1.92	1.92	1.875