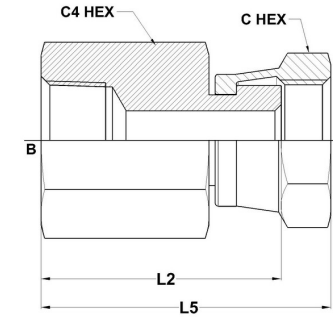
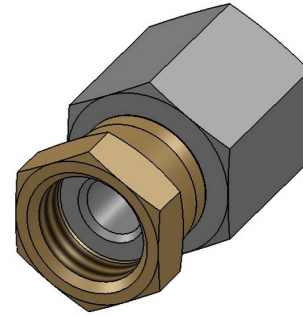




HYDROMATIK
connections par excellence

Tube Fittings & Adapters

FP-FJS Straight 6506 Series |



PART NO.SIZE	TUBE O.D.	B NPTF	A SAE 37	A DRILL	L2 LGTH	L5 LGTH	C HEX	C4 HEX
6506-02-04	1/4	1/8-27	7/16-20	0.172	0.98	1.33	0.563	0.562
6506-04-02	1/8	1/4-18	5/16-24	0.062	1.20	1.51	0.438	0.750
6506-04-04	1/4	1/4-18	7/16-20	0.172	1.17	1.52	0.563	0.750
6506-04-05	5/16	1/4-18	1/2-20	0.234	1.21	1.59	0.625	0.750
6506-04-06	3/8	1/4-18	9/16-18	0.297	1.26	1.64	0.688	0.750
6506-06-04	1/4	3/8-18	7/16-20	0.172	1.24	1.59	0.563	0.875
6506-06-06	3/8	3/8-18	9/16-18	0.297	1.32	1.70	0.688	0.875
6506-06-08	1/2	3/8-18	3/4-16	0.391	1.37	1.80	0.875	0.875
6506-06-10	5/8	3/8-18	7/8-14	0.484	1.40	1.90	1.000	0.938
6506-08-06	3/8	1/2-14	9/16-18	0.297	1.54	1.92	0.688	1.125
6506-08-08	1/2	1/2-14	3/4-16	0.391	1.59	2.02	0.875	1.125
6506-08-10	5/8	1/2-14	7/8-14	0.484	1.62	2.12	1.000	1.125
6506-08-12	3/4	1/2-14	1-1/16-12	0.609	1.66	2.23	1.250	1.125
6506-12-10	5/8	3/4-14	7/8-14	0.484	1.68	2.18	1.000	1.375

6506-12-12	3/4	3/4-14	1-1/16-12	0.609	1.72	2.29	1.250	1.375
6506-12-14	7/8	3/4-14	1-3/16-12	0.719	1.75	2.33	1.375	1.375
6506-12-16	1	3/4-14	1-5/16-12	0.844	1.78	2.38	1.500	1.375
6506-16-16	1	1-11-1/2	1-5/16-12	0.844	2.03	2.63	1.500	1.625
6506-20-20	1-1/4	1-1/4-11-1/2	1-5/8-12	1.078	2.20	2.84	2.000	2.000
6506-24-24	1-1/2	1-1/2-11-1/2	1-7/8-12	1.312	2.27	2.99	2.250	2.375
6506-32-32	2	2-11-1/2	2-1/2-12	1.781	2.37	3.32	2.875	2.875