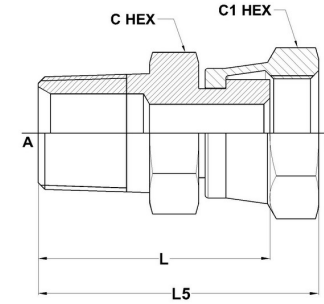
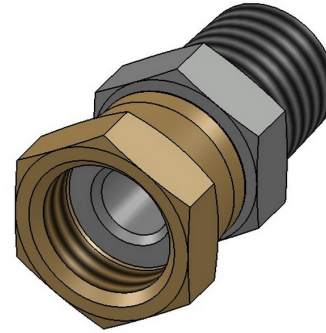




HYDROMATIK
connections par excellence

Tube Fittings & Adapters

MP-FJS Straight 6505 Series |



PART NO. SIZE	TUBE O.D.	A NPTF	B SAE 37	A DRILL	B DRILL	L LGTH	L5 LGTH	C1 HEX	C HEX
6505-02-04	1/4	1/8-27	7/16-20	0.188	0.172	0.99	1.34	0.563	0.500
6505-02-05	5/16	1/8-27	1/2-20	0.188	0.234	1.03	1.41	0.625	0.562
6505-04-04	1/4	1/4-18	7/16-20	0.281	0.172	1.20	1.55	0.563	0.562
6505-04-05	5/16	1/4-18	1/2-20	0.281	0.234	1.26	1.64	0.625	0.562
6505-04-06	3/8	1/4-18	9/16-18	0.281	0.297	1.30	1.68	0.688	0.562
6505-06-04	3/8	3/8-18	7/16-20	0.406	0.172	1.23	1.58	0.563	0.750
6505-06-06	3/8	3/8-18	9/16-18	0.406	0.297	1.26	1.64	0.688	0.750
6505-06-08	1/2	3/8-18	3/4-16	0.406	0.391	1.31	1.74	0.875	0.875
6505-06-10	5/8	3/8-18	7/8-14	0.406	0.484	1.36	1.86	1.000	0.938
6505-08-06	3/8	1/2-14	9/16-18	0.531	0.297	1.51	1.89	0.688	0.875
6505-08-08	1/2	1/2-14	3/4-16	0.531	0.391	1.56	1.99	0.875	0.875
6505-08-10	5/8	1/2-14	7/8-14	0.531	0.484	1.60	2.10	1.000	1.000
6505-08-12	3/4	1/2-14	1-1/16-12	0.531	0.609	1.58	2.15	1.250	1.000
6505-12-08	1/2	3/4-14	3/4-16	0.719	0.391	1.67	2.10	0.875	1.125

6505-12-10	5/8	3/4-14	7/8-14	0.719	0.484	1.70	2.20	1.000	1.125
6505-12-12	3/4	3/4-14	1-1/16-12	0.719	0.609	1.72	2.29	1.250	1.125
6505-12-14	7/8	3/4-14	1-3/16-12	0.719	0.719	1.74	2.32	1.375	1.250
6505-12-16	1	3/4-14	1-5/16-12	0.719	0.844	1.77	2.37	1.500	1.375
6505-16-16	1	1-11-1/2	1-5/16-12	0.938	0.844	1.97	2.57	1.500	1.375
6505-20-20	1-1/4	1-1/4-11-1/2	1-5/8-12	1.25	1.078	2.21	2.85	2.000	1.688
6505-24-24	1-1/2	1-1/2-11-1/2	1-7/8-12	1.5	1.312	2.27	2.99	2.250	2.000
6505-32-32	2	2-11-1/2	2-1/2-12	1.938	1.781	2.50	3.45	2.875	2.625