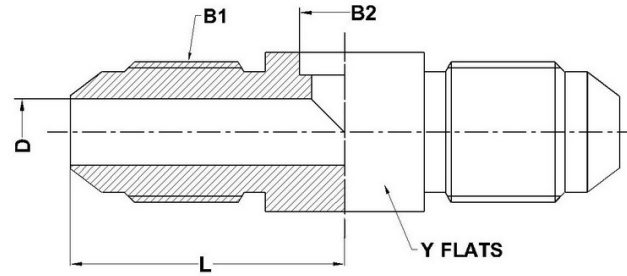
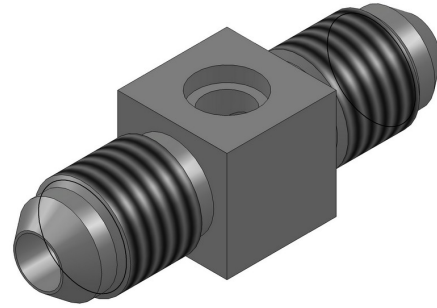




**HYDROMATIK**  
connections par excellence

## Tube Fittings & Adapters

**Bore-MJ-MJ Tee 0702 Series** |



PART NO. SIZE	TUBE O.D.	B1 JIC	B2 BORE	D DRILL	L LGTH	Y FLATS
0702-05-05-05	5/16	1/2-20	0.319	0.234	0.970	0.562
0702-06-06-06	3/8	9/16-18	0.381	0.297	1.090	0.625
0702-08-08-08	1/2	3/4-16	0.506	0.391	1.250	0.812
0702-10-10-10	5/8	7/8-14	0.631	0.484	1.450	0.937
0702-12-12-12	3/4	1-1/16-12	0.757	0.609	1.660	1.125
0702-16-16-16	1	1-5/16-12	1.007	0.844	1.810	1.375