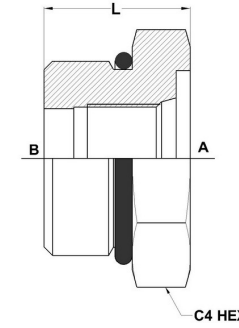
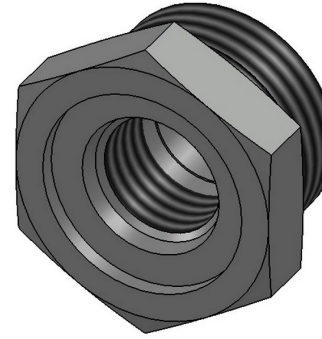




HYDROMATIK
connections par excellence

Tube Fittings & Adapters

MORB-FORB Straight Reducer 6410-O Series |



PART NO.SIZE	B SAE ORB	A SAE ORB	B DRILL	L LGTH	C4 HEX
6410-02-04-O	5/16-24	7/16-20	0.062	1.13	0.688
6410-03-04-O	3/8-24	7/16-20	0.125	1.13	0.688
6410-04-02-O	7/16-20	5/16-24	0.172	1.08	0.562
6410-04-04-O	7/16-20	7/16-20	0.172	1.08	0.688
6410-04-05-O	7/16-20	1/2-20	0.172	1.24	0.750
6410-04-06-O	7/16-20	9/16-18	0.172	1.24	0.812
6410-04-08-O	7/16-20	3/4-16	0.172	1.35	1.062
6410-05-04-O	1/2-20	7/16-20	0.234	1.08	0.688
6410-05-06-O	1/2-20	9/16-18	0.234	1.24	0.812
6410-06-04-O	9/16-18	7/16-20	0.297	1.12	0.688
6410-06-06-O	9/16-18	9/16-18	0.297	1.16	0.812
6410-06-08-O	9/16-18	3/4-16	0.297	1.38	1.062
6410-06-10-O	9/16-18	7/8-14	0.297	1.48	1.125
6410-08-03-O	3/4-16	3/8-24	0.391	0.85	0.875

6410-08-04-O	3/4-16	7/16-20	0.391	1.16	0.875
6410-08-05-O	3/4-16	1/2-20	0.391	1.21	0.875
6410-08-06-O	3/4-16	9/16-18	0.391	1.21	0.875
6410-08-08-O	3/4-16	3/4-16	0.391	1.47	1.062
6410-08-10-O	3/4-16	7/8-14	0.391	1.56	1.125
6410-08-12-O	3/4-16	1-1/16-12	0.391	1.73	1.375
6410-10-04-O	7/8-14	7/16-20	0.484	0.91	1.000
6410-10-05-O	7/8-14	1/2-20	0.484	1.27	1.000
6410-10-06-O	7/8-14	9/16-18	0.484	1.27	1.000
6410-10-08-O	7/8-14	3/4-16	0.484	1.38	1.062
6410-10-12-O	7/8-14	1-1/16-12	0.484	1.79	1.375
6410-10-16-O	7/8-14	1-5/16-12	0.484	1.79	1.625
6410-12-04-O	1-1/16-12	7/16-20	0.609	1.00	1.250
6410-12-06-O	1-1/16-12	9/16-18	0.609	1.00	1.250
6410-12-08-O	1-1/16-12	3/4-16	0.609	1.48	1.250
6410-12-10-O	1-1/16-12	7/8-14	0.609	1.57	1.250
6410-12-12-O	1-1/16-12	1-1/16-12	0.609	1.73	1.375
6410-12-14-O	1-1/16-12	1-3/16-12	0.609	1.88	1.625
6410-12-16-O	1-1/16-12	1-5/16-12	0.609	1.88	1.625
6410-12-20-O	1-1/16-12	1-5/8-12	0.609	1.94	2.125
6410-14-08-O	1-3/16-12	3/4-16	0.719	1.48	1.375
6410-14-10-O	1-3/16-12	7/8-14	0.719	1.57	1.375
6410-14-12-O	1-3/16-12	1-1/16-12	0.719	1.73	1.375

6410-14-16-O	1-3/16-12	1-5/16-12	0.719	1.88	1.625
6410-16-04-O	1-5/16-12	7/16-20	0.844	1.00	1.500
6410-16-06-O	1-5/16-12	9/16-18	0.844	1.00	1.500
6410-16-08-O	1-5/16-12	3/4-16	0.844	1.00	1.500
6410-16-10-O	1-5/16-12	7/8-14	0.844	1.57	1.500
6410-16-12-O	1-5/16-12	1-1/16-12	0.844	1.73	1.500
6410-16-14-O	1-5/16-12	1-3/16-12	0.844	1.73	1.625
6410-16-16-O	1-5/16-12	1-5/16-12	0.844	1.73	1.625
6410-16-20-O	1-5/16-12	1-5/8-12	0.844	1.97	2.125
6410-16-24-O	1-5/16-12	1-7/8-12	0.844	1.98	2.500
6410-20-06-O	1-5/8-12	9/16-18	1.078	1.00	1.875
6410-20-08-O	1-5/8-12	3/4-16	1.078	1.00	1.875
6410-20-10-O	1-5/8-12	7/8-14	1.078	1.00	1.875
6410-20-12-O	1-5/8-12	1-1/16-12	1.078	1.00	1.875
6410-20-16-O	1-5/8-12	1-5/16-12	1.078	1.73	1.875
6410-20-24-O	1-5/8-12	1-7/8-12	1.078	1.98	2.500
6410-24-06-O	1-7/8-12	9/16-18	1.312	1.00	2.125
6410-24-12-O	1-7/8-12	1-1/16-12	1.312	1.00	2.125
6410-24-16-O	1-7/8-12	1-5/16-12	1.312	1.73	2.125
6410-24-20-O	1-7/8-12	1-5/8-12	1.312	1.79	2.125
6410-24-24-O	1-7/8-12	1-7/8-12	1.312	1.98	2.500
6410-32-12-O	2-1/2-12	1-1/16-12	1.781	1.00	2.750
6410-32-16-O	2-1/2-12	1-5/16-12	1.781	1.00	2.750

6410-32-20-O	2-1/2-12	1-5/8-12	1.781	1.00	2.750
6410-32-24-O	2-1/2-12	1-7/8-12	1.781	1.80	2.750