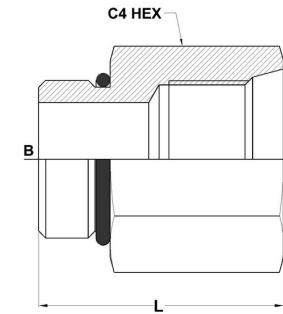
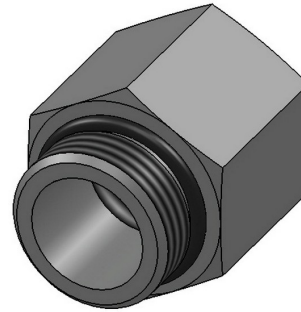




HYDROMATIK
connections par excellence

Tube Fittings & Adapters

MORB-FP Straight 6405-O Series |



PART NO. SIZE	TUBE O.D.	B SAE ORB	A NPTF	B DRILL	L LGTH	C4 HEX
6405-02-02-O	1/8	5/16-24	1/8-27	0.062	0.93	0.562
6405-02-04-O	1/8	5/16-24	1/4-18	0.062	1.24	0.750
6405-03-04-O	3/16	3/8-24	1/4-18	0.125	1.24	0.750
6405-04-02-O	1/4	7/16-20	1/8-27	0.172	0.99	0.562
6405-04-04-O	1/4	7/16-20	1/4-18	0.172	1.31	0.750
6405-04-06-O	1/4	7/16-20	3/8-18	0.172	1.37	0.875
6405-05-02-O	5/16	1/2-20	1/8-27	0.234	0.99	0.625
6405-05-04-O	5/16	1/2-20	1/4-18	0.234	1.20	0.750
6405-05-06-O	5/16	1/2-20	3/8-18	0.234	1.37	0.875
6405-06-02-O	3/8	9/16-18	1/8-27	0.297	1.02	0.688
6405-06-04-O	3/8	9/16-18	1/4-18	0.297	1.23	0.750
6405-06-06-O	3/8	9/16-18	3/8-18	0.297	1.40	0.875
6405-06-08-O	3/8	9/16-18	1/2-14	0.297	1.63	1.125
6405-08-02-O	1/2	3/4-16	1/8-27	0.391	1.07	0.875

6405-08-04-O	1/2	3/4-16	1/4-18	0.391	1.28	0.875
6405-08-06-O	1/2	3/4-16	3/8-18	0.391	1.33	0.875
6405-08-08-O	1/2	3/4-16	1/2-14	0.391	1.71	1.125
6405-08-12-O	1/2	3/4-16	3/4-14	0.391	1.78	1.375
6405-10-04-O	5/8	7/8-14	1/4-18	0.484	1.34	1.000
6405-10-06-O	5/8	7/8-14	3/8-18	0.484	1.40	1.000
6405-10-08-O	5/8	7/8-14	1/2-14	0.484	1.63	1.125
6405-10-12-O	5/8	7/8-14	3/4-14	0.484	1.84	1.375
6405-12-04-O	3/4	1-1/16-12	1/4-18	0.609	1.43	1.250
6405-12-06-O	3/4	1-1/16-12	3/8-18	0.609	1.49	1.250
6405-12-08-O	3/4	1-1/16-12	1/2-14	0.609	1.72	1.250
6405-12-12-O	3/4	1-1/16-12	3/4-14	0.609	1.78	1.375
6405-12-16-O	3/4	1-1/16-12	1-11-1/2	0.609	2.18	1.625
6405-14-08-O	7/8	1-3/16-12	1/2-14	0.719	1.72	1.375
6405-14-12-O	7/8	1-3/16-12	3/4-14	0.719	1.78	1.375
6405-14-16-O	7/8	1-3/16-12	1-11-1/2	0.719	2.18	1.625
6405-16-04-O	1	1-5/16-12	1/4-18	0.844	1.43	1.500
6405-16-06-O	1	1-5/16-12	3/8-18	0.844	1.49	1.500
6405-16-08-O	1	1-5/16-12	1/2-14	0.844	1.72	1.500
6405-16-12-O	1	1-5/16-12	3/4-14	0.844	1.78	1.500
6405-16-16-O	1	1-5/16-12	1-11-1/2	0.844	2.03	1.625
6405-16-20-O	1	1-5/16-12	1-1/4-11-1/2	0.844	2.30	2.000
6405-16-24-O	1	1-5/16-12	1-1/2-11-1/2	0.844	2.30	2.375

6405-20-08-O	1-1/4	1-5/8-12	1/2-14	1.078	1.72	1.875
6405-20-12-O	1-1/4	1-5/8-12	3/4-14	1.078	1.78	1.875
6405-20-16-O	1-1/4	1-5/8-12	1-11-1/2	1.078	2.03	1.875
6405-20-20-O	1-1/4	1-5/8-12	1-1/4-11-1/2	1.078	2.30	2.000
6405-20-24-O	1-1/4	1-5/8-12	1-1/2-11-1/2	1.078	2.30	2.375
6405-20-32-O	1-1/4	1-5/8-12	2-11-1/2	1.078	2.40	2.875
6405-24-04-O	1-1/2	1-7/8-12	1/4-18	1.312	1.43	2.125
6405-24-12-O	1-1/2	1-7/8-12	3/4-14	1.312	1.78	2.125
6405-24-16-O	1-1/2	1-7/8-12	1-11-1/2	1.312	2.03	2.125
6405-24-20-O	1-1/2	1-7/8-12	1-1/4-11-1/2	1.312	2.12	2.125
6405-24-24-O	1-1/2	1-7/8-12	1-1/2-11-1/2	1.312	2.30	2.375
6405-32-16-O	2	2-1/2-12	1-11-1/2	1.781	2.03	2.750
6405-32-20-O	2	2-1/2-12	1-1/4-11-1/2	1.781	2.12	2.750
6405-32-24-O	2	2-1/2-12	1-1/2-11-1/2	1.781	2.12	2.750
6405-32-32-O	2	2-1/2-12	2-11-1/2	1.781	2.22	2.875