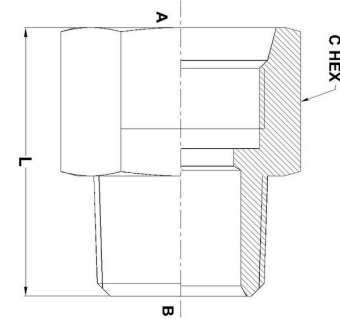
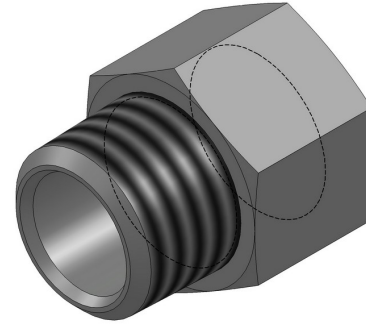




**HYDROMATIK**  
connections par excellence

## Tube Fittings & Adapters

**FORB-MP Straight 6404 Series** |



| PART NO.SIZE | TUBE O.D. | B SAE ORB | A NPTF | A DRILL | L LGTH | C4 HEX |
|--------------|-----------|-----------|--------|---------|--------|--------|
| 6404-03-06   | 3/16      | 3/8-24    | 3/8-18 | 0.406   | 0.85   | 0.750  |
| 6404-04-02   | 1/4       | 7/16-20   | 1/8-27 | 0.188   | 1.12   | 0.688  |
| 6404-04-04   | 1/4       | 7/16-20   | 1/4-18 | 0.281   | 1.30   | 0.688  |
| 6404-04-06   | 1/4       | 7/16-20   | 3/8-18 | 0.406   | 1.30   | 0.750  |
| 6404-05-02   | 5/16      | 1/2-20    | 1/8-27 | 0.188   | 1.17   | 0.750  |
| 6404-05-04   | 5/16      | 1/2-20    | 1/4-18 | 0.281   | 1.35   | 0.750  |
| 6404-05-06   | 5/16      | 1/2-20    | 3/8-18 | 0.406   | 1.35   | 0.750  |
| 6404-06-04   | 3/8       | 9/16-18   | 1/4-18 | 0.281   | 1.35   | 0.812  |
| 6404-06-06   | 3/8       | 9/16-18   | 3/8-18 | 0.406   | 1.35   | 0.812  |
| 6404-06-08   | 3/8       | 9/16-18   | 1/2-14 | 0.531   | 1.54   | 0.875  |
| 6404-08-04   | 1/2       | 3/4-16    | 1/4-18 | 0.281   | 1.46   | 1.062  |
| 6404-08-06   | 1/2       | 3/4-16    | 3/8-18 | 0.406   | 1.46   | 1.062  |
| 6404-08-08   | 1/2       | 3/4-16    | 1/2-14 | 0.531   | 1.65   | 1.062  |
| 6404-08-12   | 1/2       | 3/4-16    | 3/4-14 | 0.719   | 1.65   | 1.125  |

|            |       |           |              |       |      |       |
|------------|-------|-----------|--------------|-------|------|-------|
| 6404-10-06 | 5/8   | 7/8-14    | 3/8-18       | 0.406 | 1.55 | 1.125 |
| 6404-10-08 | 5/8   | 7/8-14    | 1/2-14       | 0.531 | 1.74 | 1.125 |
| 6404-10-12 | 5/8   | 7/8-14    | 3/4-14       | 0.719 | 1.74 | 1.125 |
| 6404-12-08 | 3/4   | 1-1/16-12 | 1/2-14       | 0.531 | 1.91 | 1.375 |
| 6404-12-12 | 3/4   | 1-1/16-12 | 3/4-14       | 0.719 | 1.91 | 1.375 |
| 6404-14-12 | 7/8   | 1-3/16-12 | 3/4-14       | 0.719 | 1.91 | 1.625 |
| 6404-16-12 | 1     | 1-5/16-12 | 3/4-14       | 0.719 | 1.91 | 1.625 |
| 6404-16-16 | 1     | 1-5/16-12 | 1-11-1/2     | 0.938 | 2.10 | 1.625 |
| 6404-16-20 | 1     | 1-5/16-12 | 1-1/4-11-1/2 | 1.250 | 2.13 | 1.688 |
| 6404-16-24 | 1     | 1-5/16-12 | 1-1/2-11-1/2 | 1.500 | 1.57 | 2.000 |
| 6404-20-16 | 1-1/4 | 1-5/8-12  | 1-11-1/2     | 0.938 | 2.16 | 2.125 |
| 6404-20-20 | 1-1/4 | 1-5/8-12  | 1-1/4-11-1/2 | 1.250 | 2.19 | 2.125 |
| 6404-24-24 | 1-1/2 | 1-7/8-12  | 1-1/2-11-1/2 | 1.500 | 2.23 | 2.500 |
| 6404-32-32 | 2     | 2-1/2-12  | 2-11-1/2     | 1.938 | 2.26 | 2.875 |