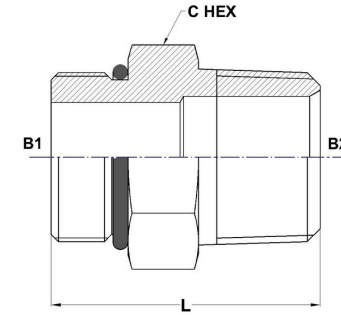
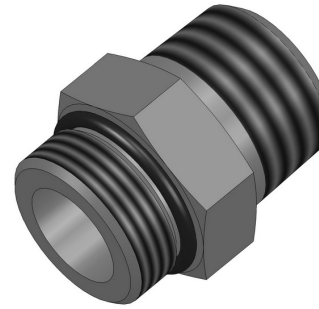




**HYDROMATIK**  
connections par excellence

## Tube Fittings & Adapters

### MORB-MP Straight 6401-O Series |



PART NO.SIZE	TUBE O.D.	B SAE ORB	B2 NPTF	B DRILL	B2 DRILL	L LGTH	C4 HEX
6401-02-02-O	1/4	5/16-24	1/8-27	0.062	0.188	1.01	0.438
6401-03-02-O	1/4	3/8-24	1/8-27	0.125	0.188	1.01	0.500
6401-04-02-O	1/4	7/16-20	1/8-27	0.172	0.188	1.07	0.562
6401-04-04-O	1/4	7/16-20	1/4-18	0.172	0.281	1.25	0.562
6401-05-02-O	5/16	1/2-20	1/8-27	0.234	0.188	1.07	0.625
6401-05-04-O	5/16	1/2-20	1/4-18	0.234	0.281	1.25	0.625
6401-06-02-O	3/8	9/16-18	1/8-27	0.297	0.188	1.13	0.688
6401-06-04-O	3/8	9/16-18	1/4-18	0.297	0.281	1.31	0.688
6401-06-06-O	3/8	9/16-18	3/8-18	0.297	0.406	1.31	0.750
6401-06-08-O	3/8	9/16-18	1/2-14	0.297	0.531	1.61	0.875
6401-08-04-O	1/2	3/4-16	1/4-18	0.391	0.281	1.39	0.875
6401-08-06-O	1/2	3/4-16	3/8-18	0.391	0.406	1.39	0.875
6401-08-08-O	1/2	3/4-16	1/2-14	0.391	0.531	1.58	0.875
6401-08-12-O	1/2	3/4-16	3/4-14	0.391	0.719	1.77	1.125

6401-10-04-O	5/8	7/8-14	1/4-18	0.484	0.281	1.51	1.000
6401-10-06-O	5/8	7/8-14	3/8-18	0.484	0.406	1.51	1.000
6401-10-08-O	5/8	7/8-14	1/2-14	0.484	0.531	1.70	1.000
6401-10-12-O	5/8	7/8-14	3/4-14	0.484	0.719	1.70	1.125
6401-12-06-O	3/4	1-1/16-12	3/8-18	0.609	0.406	1.67	1.250
6401-12-08-O	3/4	1-1/16-12	1/2-14	0.609	0.531	1.86	1.250
6401-12-12-O	3/4	1-1/16-12	3/4-14	0.609	0.719	1.86	1.250
6401-12-16-O	3/4	1-1/16-12	1-11-1/2	0.609	0.938	2.05	1.375
6401-14-12-O	7/8	1-3/16-12	3/4-14	0.719	0.719	1.86	1.375
6401-14-16-O	7/8	1-3/16-12	1-11-1/2	0.719	0.938	2.05	1.375
6401-16-12-O	1	1-5/16-12	3/4-14	0.844	0.719	1.86	1.500
6401-16-16-O	1	1-5/16-12	1-11-1/2	0.844	0.938	2.08	1.500
6401-16-20-O	1	1-5/16-12	1-1/4-11-1/2	0.844	1.250	2.29	1.688
6401-20-12-O	1-1/4	1-5/8-12	3/4-14	1.078	0.719	1.97	1.875
6401-20-16-O	1-1/4	1-5/8-12	1-11-1/2	1.078	0.938	2.16	1.875
6401-20-20-O	1-1/4	1-5/8-12	1-1/4-11-1/2	1.078	1.250	2.19	1.875
6401-20-24-O	1-1/4	1-5/8-12	1-1/2-11-1/2	1.078	1.500	2.40	2.000
6401-24-16-O	1-1/2	1-7/8-12	1-11-1/2	1.312	0.938	2.23	2.125
6401-24-20-O	1-1/2	1-7/8-12	1-1/4-11-1/2	1.312	1.250	2.26	2.125
6401-24-24-O	1-1/2	1-7/8-12	1-1/2-11-1/2	1.312	1.500	2.29	2.125
6401-32-32-O	2	2-1/2-12	2-11-1/2	1.789	1.938	2.48	2.750