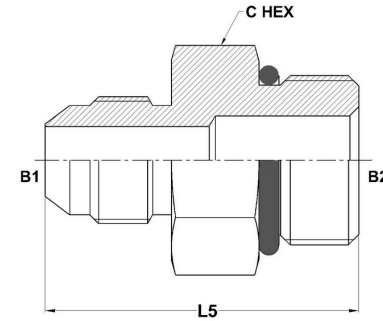
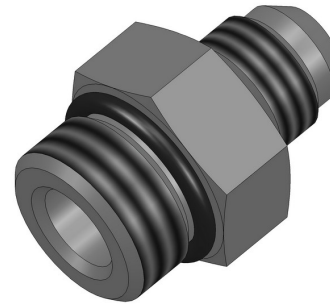




HYDROMATIK
connections par excellence

Tube Fittings & Adapters

MJ-MORB Straight 6400-O Series | SAE# 070120 /MS# 51525



PART NO. SIZE	TUBE O.D.	B1 SAE 37	B2 SAE ORB	B1 DRILL	B2 DRILL	L5 LGTH	C4 HEX
6400-02-02-O	1/8	5/16-24	5/16-24	0.062	0.062	1.06	0.438
6400-02-06-O	1/8	5/16-24	9/16-18	0.062	0.297	1.19	0.688
6400-03-02-O	3/16	3/8-24	5/16-24	0.125	0.062	1.10	0.500
6400-03-03-O	3/16	3/8-24	3/8-24	0.125	0.125	1.10	0.500
6400-03-04-O	1/4	3/8-24	7/16-20	0.125	0.172	1.16	0.562
6400-04-02-O	1/4	7/16-20	5/16-24	0.172	0.062	1.17	0.500
6400-04-03-O	1/4	7/16-20	3/8-24	0.172	0.125	1.17	0.562
6400-04-04-O	1/4	7/16-20	7/16-20	0.172	0.172	1.23	0.562
6400-04-05-O	1/4	7/16-20	1/2-20	0.172	0.234	1.23	0.625
6400-04-06-O	1/4	7/16-20	9/16-18	0.172	0.297	1.29	0.688
6400-04-08-O	1/4	7/16-20	3/4-16	0.172	0.391	1.37	0.875
6400-04-10-O	1/4	7/16-20	7/8-14	0.172	0.484	1.49	1.000
6400-04-12-O	1/4	7/16-20	1-1/16-12	0.172	0.609	1.66	1.250
6400-05-04-O	5/16	1/2-20	7/16-20	0.234	0.172	1.23	0.562

6400-05-05-O	5/16	1/2-20	1/2-20	0.234	0.234	1.23	0.625
6400-05-06-O	5/16	1/2-20	9/16-18	0.234	0.297	1.29	0.688
6400-05-08-O	5/16	1/2-20	3/4-16	0.234	0.391	1.37	0.875
6400-05-10-O	5/16	1/2-20	7/8-14	0.234	0.484	1.49	1.000
6400-06-03-O	3/8	9/16-18	3/8-24	0.297	0.125	1.30	0.687
6400-06-04-O	3/8	9/16-18	7/16-20	0.297	0.172	1.27	0.687
6400-06-05-O	3/8	9/16-18	1/2-20	0.297	0.234	1.27	0.687
6400-06-06-O	3/8	9/16-18	9/16-18	0.297	0.297	1.30	0.688
6400-06-08-O	3/8	9/16-18	3/4-16	0.297	0.391	1.38	0.875
6400-06-10-O	3/8	9/16-18	7/8-14	0.297	0.484	1.50	1.000
6400-06-12-O	3/8	9/16-18	1-1/16-12	0.297	0.609	1.66	1.250
6400-06-16-O	3/8	9/16-18	1-5/16-12	0.297	0.844	1.68	1.500
6400-08-04-O	1/2	3/4-16	7/16-20	0.391	0.172	1.49	0.875
6400-08-05-O	1/2	3/4-16	1/2-20	0.391	0.234	1.49	0.875
6400-08-06-O	1/2	3/4-16	9/16-18	0.391	0.297	1.44	0.812
6400-08-08-O	1/2	3/4-16	3/4-16	0.391	0.391	1.48	0.875
6400-08-10-O	1/2	3/4-16	7/8-14	0.391	0.484	1.60	1.000
6400-08-12-O	1/2	3/4-16	1-1/16-12	0.391	0.609	1.76	1.250
6400-08-14-O	1/2	3/4-16	1-3/16-12	0.391	0.719	1.76	1.375
6400-08-16-O	1/2	3/4-16	1-5/16-12	0.391	0.844	1.79	1.500
6400-08-20-O	1/2	3/4-16	1-5/8-12	0.391	1.078	1.87	1.875
6400-10-04-O	5/8	7/8-14	7/16-20	0.484	0.172	1.65	1.000
6400-10-06-O	5/8	7/8-14	9/16-18	0.484	0.297	1.71	1.000

6400-10-08-O	5/8	7/8-14	3/4-16	0.484	0.391	1.64	1.000
6400-10-10-O	5/8	7/8-14	7/8-14	0.484	0.484	1.70	1.000
6400-10-12-O	5/8	7/8-14	1-1/16-12	0.484	0.609	1.86	1.250
6400-10-14-O	5/8	7/8-14	1-3/16-12	0.484	0.719	1.86	1.375
6400-10-16-O	5/8	7/8-14	1-5/16-12	0.484	0.844	1.89	1.500
6400-10-20-O	5/8	7/8-14	1-5/8-12	0.484	1.078	1.97	1.875
6400-12-06-O	3/4	1-1/16-12	9/16-18	0.609	0.297	1.86	1.125
6400-12-08-O	3/4	1-1/16-12	3/4-16	0.609	0.391	1.94	1.125
6400-12-10-O	3/4	1-1/16-12	7/8-14	0.609	0.484	1.88	1.125
6400-12-12-O	3/4	1-1/16-12	1-1/16-12	0.609	0.609	1.97	1.250
6400-12-14-O	3/4	1-1/16-12	1-3/16-12	0.609	0.719	1.96	1.375
6400-12-16-O	3/4	1-1/16-12	1-5/16-12	0.609	0.844	1.99	1.500
6400-12-20-O	3/4	1-1/16-12	1-5/8-12	0.609	1.078	2.08	1.875
6400-12-24-O	7/8	1-1/16-12	1-7/8-12	0.609	1.312	2.15	2.12
6400-14-08-O	7/8	1-3/16-12	3/4-16	0.719	0.391	1.96	1.250
6400-14-10-O	7/8	1-3/16-12	7/8-14	0.719	0.484	2.02	1.250
6400-14-12-O	7/8	1-3/16-12	1-1/16-12	0.719	0.609	1.99	1.250
6400-14-14-O	7/8	1-3/16-12	1-3/16-12	0.719	0.719	1.99	1.375
6400-14-16-O	7/8	1-3/16-12	1-5/16-12	0.719	0.844	2.02	1.500
6400-16-06-O	1	1-5/16-12	9/16-18	0.844	0.297	1.93	1.375
6400-16-08-O	1	1-5/16-12	3/4-16	0.844	0.391	2.01	1.375
6400-16-10-O	1	1-5/16-12	7/8-14	0.844	0.484	2.07	1.375
6400-16-12-O	1	1-5/16-12	1-1/16-12	0.844	0.609	2.04	1.375

6400-16-14-O	1	1-5/16-12	1-3/16-12	0.844	0.719	2.04	1.375
6400-16-16-O	1	1-5/16-12	1-5/16-12	0.844	0.844	2.04	1.500
6400-16-20-O	1	1-5/16-12	1-5/8-12	0.844	1.078	2.12	1.875
6400-16-24-O	1	1-5/16-12	1-7/8-12	0.844	1.312	2.20	2.125
6400-20-12-O	1-1/4	1-5/8-12	1-1/16-12	1.078	0.609	2.30	1.688
6400-20-16-O	1-1/4	1-5/8-12	1-5/16-12	1.078	0.844	2.33	1.688
6400-20-20-O	1-1/4	1-5/8-12	1-5/8-12	1.078	1.078	2.17	1.875
6400-20-24-O	1-1/4	1-5/8-12	1-7/8-12	1.078	1.312	2.24	2.125
6400-20-32-O	1-1/4	1-5/8-12	2-1/2-12	1.078	1.781	2.40	2.400
6400-20-40-O	1-1/4	1-5/8-12	3-12	1.078	2.318		
6400-24-16-O	1-1/2	1-7/8-12	1-5/16-12	1.312	0.844	2.53	2.750
6400-24-20-O	1-1/2	1-7/8-12	1-5/8-12	1.312	1.078	2.53	2.125
6400-24-24-O	1-1/2	1-7/8-12	1-7/8-12	1.312	1.312	2.37	2.125
6400-24-32-O	1-1/2	1-7/8-12	2-1/2-12	1.312	1.781	2.53	2.750
6400-32-20-O	2	2-1/2-12	1-5/8-12	1.781	1.078	2.94	2.750
6400-32-24-O	2	2-1/2-12	1-7/8-12	1.781	1.312	2.94	2.625
6400-32-32-O	2	2-1/2-12	2-1/2-12	1.781	1.781	2.78	2.750
6400-32-40-O	2	2-1/2-12	3-12	1.781	2.318		