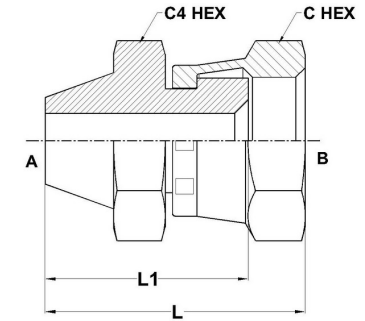
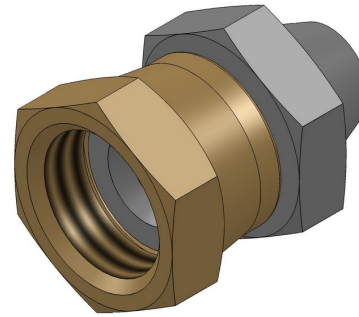




**HYDROMATIK**  
connections par excellence

## Tube Fittings & Adapters

### FJS-Weld Straight 6316 Series |



PART NO.SIZE	TUBE O.D.	A WELD	B FJS	B DRILL	L1 LGTH	L LGTH	C HEX	C4 HEX
6316-04	1/4	0.250	7/16-20	0.172	1.01	1.364	0.562	0.562
6316-06	3/8	0.375	9/16-18	0.297	1.01	1.470	0.688	0.688
6316-08	1/2	0.500	3/4-16	0.391	1.17	1.609	0.875	0.875
6316-10	5/8	0.625	7/8-14	0.484			1.000	1.000
6316-12	3/4	0.750	1-1/16-12	0.609	1.26	1.837	1.250	1.062
6316-16	1	1.000	1-5/16-12	0.844	1.40	2.003	1.500	1.312
6316-20	1-1/4	1.250	1-5/8-12	1.078	1.63	2.275	2.000	1.750
6316-24	1-1/2	1.500	1-7/8-12	1.078			2.250	2.000