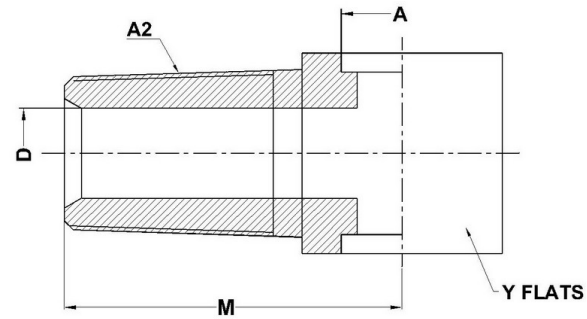
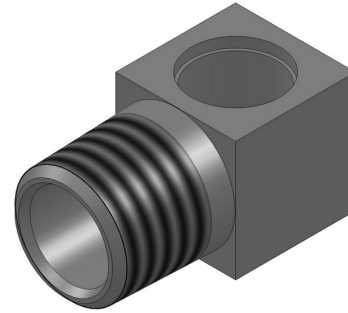




HYDROMATIK
connections par excellence

Tube Fittings & Adapters

Bore-Bore-MP Tee 0601 Series |



PART NO. SIZE	TUBE O.D.	A1 BORE	A2 NPTF	M LGTH	Y FLATS
0601-16-16-16	1	1.007	1-11-1/2	1.97	1.375