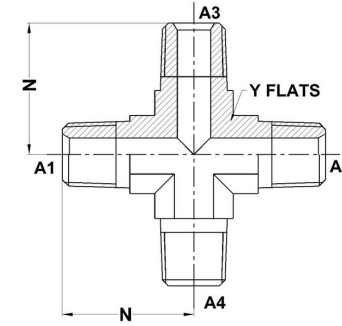
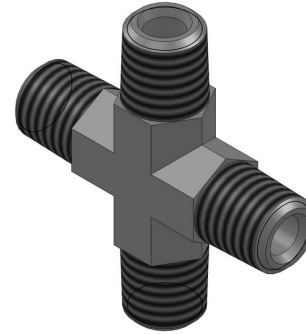




HYDROMATIK
connections par excellence

Tube Fittings & Adapters

MP-MP-MP-MP Cross 5650 Series | SAE# 140537 (As coded per SAE J846)



PART NO. SIZE	A1 NPTF	A2 NPTF	A3 NPTF	A4 NPTF	A1 DRILL	A2 DRILL	A3 DRILL	A4 DRILL	N LGTH	Y FLATS
5650-04-04-04-04-FG	1/4-18	1/4-18	1/4-18	1/4-18	0.281	0.281	0.281	0.281	1.09	0.562
5650-16-16-16-16-FG	1-11/12	1-11/12	1-11/12	1-11/12	0.938	0.938	0.938	0.938	1.97	1.312