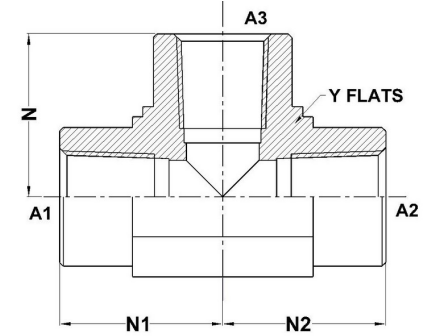
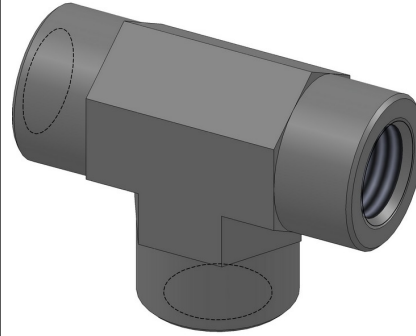




**HYDROMATIK**  
connections par excellence

## Tube Fittings & Adapters

**FP-FP-FP Tee** 5605 Series | SAE# 140438



PART NO.SIZE	A1 NPTF	A2 NPTF	A3 NPTF	N1 LGTH	N2 LGTH	N3 LGTH	Y FLATS
5605-02-02-02-FG	1/8-27	1/8-27	1/8-27	0.66	0.66	0.66	0.562
5605-04-04-02-FG	1/4-18	1/4-18	1/4-18	0.88	0.88	0.88	0.750
5605-04-04-04-FG	1/4-18	1/4-18	1/4-18	0.88	0.88	0.88	0.750
5605-04-04-06-FG	1/4-18	1/4-18	1/4-18	1.02	1.02	1.02	0.875
5605-06-06-06-FG	3/8-18	3/8-18	3/8-18	1.02	1.02	1.02	0.875
5605-06-06-08-FG	3/8-18	3/8-18	3/8-18	1.23	1.23	1.23	1.062
5605-08-08-08-FG	1/2-14	1/2-14	1/2-14	1.23	1.23	1.23	1.062
5605-12-12-12-FG	3/4-14	3/4-14	3/4-14	1.36	1.36	1.36	1.312
5605-16-16-16-FG	1-11 1/2	1-11 1/2	1-11 1/2	1.62	1.62	1.62	1.625
5605-20-20-20-FG	1-1/4-11 1/2	1-1/4-11 1/2	1-1/4-11 1/2	1.70	1.70	1.70	1.875
5605-24-24-24-FG	1-1/2-11 1/2	1-1/2-11 1/2	1-1/2-11 1/2	2.08	2.08	2.08	2.562
5605-32-32-32-FG	2-11 1/2	2-11 1/2	2-11 1/2	2.39	2.39	2.39	2.812