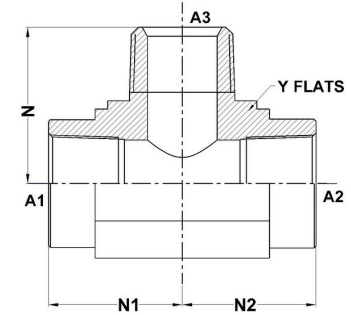
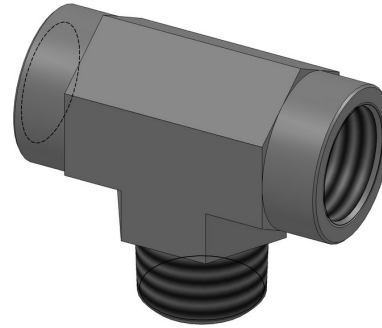




HYDROMATIK
connections par excellence

Tube Fittings & Adapters

FP-FP-MP Branch Tee 5604 Series | SAE# 140425



PART NO. SIZE	A1 NPTF	A2 NPTF	A3 NPTF	A3 DRILL	N1 LGTH	N2 LGTH	N LGTH	Y FLATS
5604-02-02-02-FG	1/8-27	1/8-27	1/8-27	0.188	0.66	0.66	0.78	0.562
5604-04-04-04-FG	1/4-18	1/4-18	1/4-18	0.281	0.88	0.88	1.09	0.750
5604-06-06-06-FG	3/8-18	3/8-18	3/8-18	0.406	1.02	1.02	1.22	0.875
5604-08-08-08-FG	1/2-14	1/2-14	1/2-14	0.531	1.23	1.23	1.47	1.062
5604-12-12-08-FG	3/4-14	3/4-14	1/2-14	0.531	1.36	1.36	1.59	1.312
5604-12-12-12-FG	3/4-14	3/4-14	3/4-14	0.719	1.36	1.36	1.59	1.312
5604-16-16-16-FG	1-11 1/2	1-11 1/2	1-11 1/2	0.938	1.62	1.62	1.70	1.625
5604-20-20-20-FG	1-1/4-11 1/2	1-1/4-11 1/2	1-1/4-11 1/2	1.250	1.70	1.70	2.38	1.875
5604-24-24-24-FG	1-1/2-11 1/2	1-1/2-11 1/2	1-1/2-11 1/2	1.500	2.08	2.08	2.64	2.562