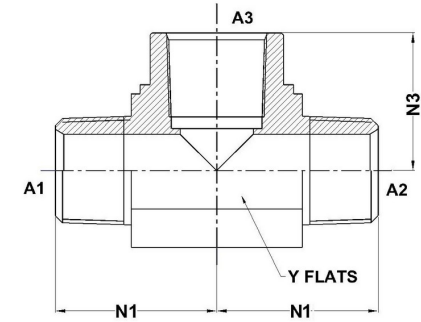
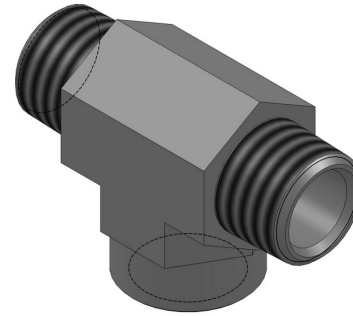




HYDROMATIK
connections par excellence

Tube Fittings & Adapters

MP-MP-FP Tee 5601 Series | SAE# 140427(AS coded per SAE J846)



PART NO.SIZE	A1 NPTF	A2 NPTF	A3 NPTF	A1 DRILL	A2 DRILL	N1 LGTH	N2 LGTH	N3 LGTH	Y FLATS
5601-02-02-02-FG	1/8-27	1/8-27	1/8-27	0.188	0.188	0.78	0.78	0.66	0.562
5601-04-04-04-FG	1/4-18	1/4-18	1/4-18	0.281	0.281	1.09	1.09	0.88	0.750
5601-06-06-06-FG	3/8-18	3/8-18	3/8-18	0.406	0.406	1.22	1.22	1.02	0.875
5601-08-08-08-FG	1/2-14	1/2-14	1/2-14	0.531	0.531	1.47	1.47	1.23	1.062
5601-12-12-12-FG	3/4-14	3/4-14	3/4-14	0.719	0.719	1.59	1.59	1.36	1.312
5601-16-16-16-FG	1-11 1/2	1-11 1/2	1-11 1/2	0.938	0.938	1.70	1.70	1.62	1.625
5601-20-20-20-FG	1-1/4-11 1/2	1-1/4-11 1/2	1-1/4-11 1/2	1.250	1.250	2.38	2.38	1.70	1.875
5601-24-24-24-FG	1-1/2-11 1/2	1-1/2-11 1/2	1-1/2-11 1/2	1.500	1.500	2.64	2.64	2.08	2.562