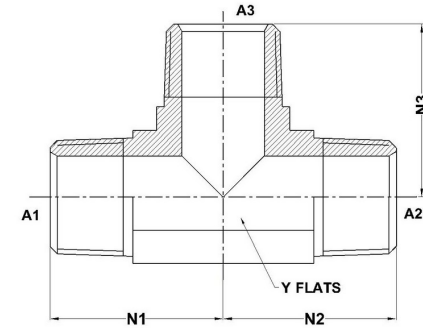
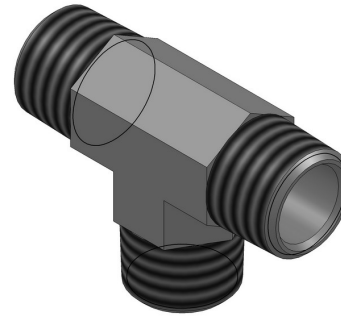




HYDROMATIK
connections par excellence

Tube Fittings & Adapters

MP-MP-MP Tee 5600 Series | SAE# 140437(As coded per SAE J846)



PART NO. SIZE	A1 NPTF	A2 NPTF	A3 NPTF	A1 DRILL	A2 DRILL	A3 DRILL	N1 LGTH	N2 LGTH	N3 LGTH	Y FLATS
5600-02-02-02-FG	1/8-27	1/8-27	1/8-27	0.188	0.188	0.188	0.78	0.78	0.78	0.438
5600-04-04-04-FG	1/4-18	1/4-18	1/4-18	0.281	0.281	0.281	1.09	1.09	1.09	0.562
5600-06-06-06-FG	3/8-18	3/8-18	3/8-18	0.406	0.406	0.406	1.22	1.22	1.22	0.750
5600-08-08-08-FG	1/2-14	1/2-14	1/2-14	0.531	0.531	0.531	1.47	1.47	1.47	0.875
5600-12-12-12-FG	3/4-14	3/4-14	3/4-14	0.719	0.719	0.719	1.59	1.59	1.59	1.062
5600-16-16-16-FG	1-11 1/2	1-11 1/2	1-11 1/2	0.938	0.938	0.938	1.97	1.97	1.97	1.312
5600-20-20-20-FG	1-1/4-11 1/2	1-1/4-11 1/2	1-1/4-11 1/2	1.250	1.250	1.250	2.38	2.38	2.38	1.625
5600-32-32-32-FG	2-11 1/2	2-11 1/2	2-11 1/2	1.938	1.938	1.938	3.00	3.00	3.00	2.500