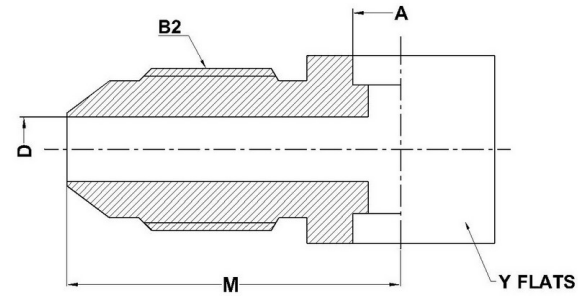
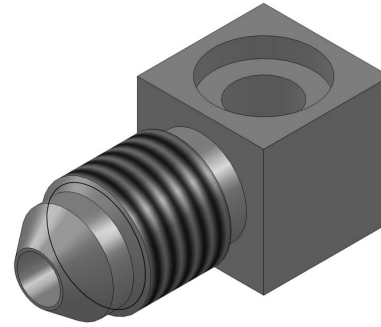




**HYDROMATIK**  
connections par excellence

## Tube Fittings & Adapters

**Bore-Bore-MJ Tee 0600 Series** |



PART NO. SIZE	TUBE O.D.	A BORE	B2 JIC	D DRILL	M LGTH	Y FLATS
0600-04-04-04	1/4	0.256	7/16-20	0.172	0.890	0.500
0600-05-05-05	5/16	0.319	1/2-20	0.234	0.953	0.562
0600-06-06-06	3/8	0.381	9/16-18	0.297	1.062	0.625
0600-08-08-08	1/2	0.506	3/4-16	0.391	1.250	0.812
0600-10-10-10	5/8	0.631	7/8-14	0.484	1.453	0.937
0600-12-12-12	3/4	0.757	1-1/16-12	0.609	1.656	1.125
0600-14-14-14	7/8	0.882	1-3/16-12	0.719	1.734	1.250
0600-16-16-16	1	1.007	1-5/16-12	0.844	1.812	1.375
0600-20-20-20	1-1/4	1.258	1-5/8-12	1.078	2.062	1.750

0600-24-24-24	1-1/2	1.508	1-7/8-12	1.312	2.328	2.000
---------------	-------	-------	----------	-------	-------	-------