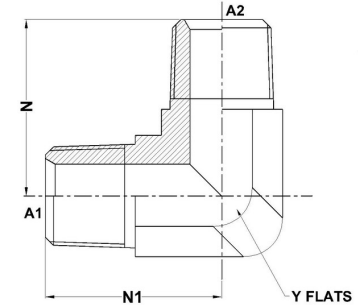
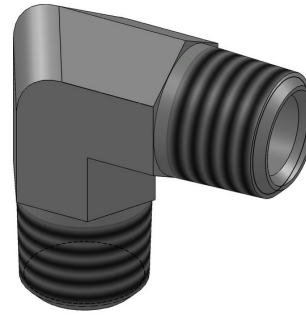




HYDROMATIK
connections par excellence

Tube Fittings & Adapters

MP-MP 90° 5500 Series | SAE# 140237



PART NO. SIZE	A1 NPTF	A2 NPTF	A1 DRILL	A2 DRILL	N1 LGTH	N LGTH	Y FLATS
5500-02-02-FG	1/8-27	1/8-27	0.188	0.188	0.78	0.78	0.438
5500-04-02-FG	1/4-18	1/8-27	0.281	0.188	1.09	0.90	0.562
5500-04-04-FG	1/4-18	1/4-18	0.281	0.281	1.09	1.09	0.562
5500-06-02-FG	3/8-18	1/8-27	0.406	0.188	1.22	1.03	0.750
5500-06-04-FG	3/8-18	1/4-18	0.406	0.281	1.22	1.22	0.750
5500-06-06-FG	3/8-18	3/8-18	0.406	0.406	1.22	1.22	0.750
5500-08-04-FG	1/2-14	1/4-18	0.531	0.281	1.47	1.28	0.875
5500-08-06-FG	1/2-14	3/8-18	0.531	0.406	1.47	1.28	0.875
5500-08-08-FG	1/2-14	1/2-14	0.531	0.531	1.47	1.47	0.875
5500-12-06-FG	3/4-14	3/8-18	0.719	0.406	1.59	1.40	1.062
5500-12-08-FG	3/4-14	1/2-14	0.719	0.531	1.59	1.59	1.062
5500-12-12-FG	3/4-14	3/4-14	0.719	0.719	1.59	1.59	1.062
5500-16-08-FG	1-11 1/2	1/2-14	0.938	0.531	1.97	1.78	1.312
5500-16-12-FG	1-11 1/2	3/4-14	0.938	0.719	1.97	1.78	1.312

5500-16-16-FG	1-11 1/2	1-11 1/2	0.938	0.938	1.97	1.97	1.312
5500-20-20-FG	1-1/4-11 1/2	1-1/4-11 1/2	1.250	1.250	2.38	2.38	1.625
5500-24-24-FG	1-1/2-11-1/2	1-1/2-11-1/2	1.500	1.500	2.64	2.64	1.875
5500-32-32-FG	2-11 1/2	2-11 1/2	1.938	1.938	3.00	3.00	2.500