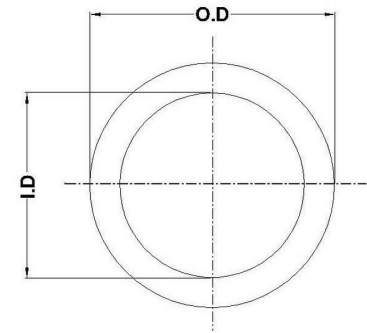
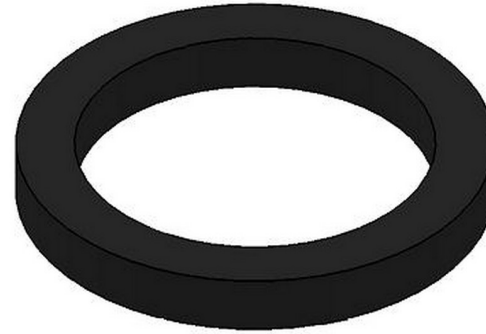




HYDROMATIK
connections par excellence

International Fittings

British Bonded Seal 9900 Series |



PART NO.SIZE	I.D.	O.D.
9900-02	0.408	0.625
9900-04	0.540	0.809
9900-06	0.682	0.937
9900-08	0.850	1.125
9900-10	0.925	1.250
9900-12	1.062	1.375
9900-16	1.338	1.687
9900-20	1.699	2.063
9900-24	1.910	2.310
9900-32	2.389	2.875