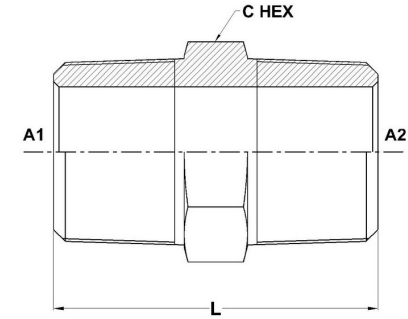




**HYDROMATIK**  
connections par excellence

## Tube Fittings & Adapters

**MP-MP Hex Nipple 5404 Series** | SAE# 140137



PART NO. SIZE	A1 NPTF	A2 NPTF	A1 DRILL	A2 DRILL	L LGTH	C HEX
5404-02-02	1/8-27	1/8-27	0.188	0.188	1.060	0.438
5404-04-02	1/4-18	1/8-27	0.281	0.188	1.260	0.562
5404-04-04	1/4-18	1/4-18	0.281	0.281	1.450	0.625
5404-06-02	3/8-18	1/8-27	0.406	0.188	1.260	0.750
5404-06-04	3/8-18	1/4-18	0.406	0.281	1.450	0.750
5404-06-06	3/8-18	3/8-18	0.406	0.406	1.450	0.750
5404-08-04	1/2-14	1/4-18	0.531	0.281	1.700	0.875
5404-08-06	1/2-14	3/8-18	0.531	0.406	1.700	0.875
5404-08-08	1/2-14	1/2-14	0.531	0.531	1.890	0.875
5404-12-04	3/4-14	1/4-18	0.719	0.281	1.770	1.125
5404-12-06	3/4-14	3/8-18	0.719	0.406	1.770	1.125
5404-12-08	3/4-14	1/2-14	0.719	0.531	1.960	1.125
5404-12-12	3/4-14	3/4-14	0.719	0.719	1.960	1.125
5404-16-04	1-11-1/2	1/4-18	0.938	0.281	1.960	1.375

5404-16-06	1-11-1/2	3/8-18	0.938	0.406	1.960	1.375
5404-16-08	1-11-1/2	1/2-14	0.938	0.531	2.150	1.375
5404-16-12	1-11-1/2	3/4-14	0.938	0.719	2.150	1.375
5404-16-16	1-11-1/2	1-11-1/2	0.938	0.938	2.340	1.375
5404-20-12	1-1/4-11-1/2	3/4-14	1.250	0.719	2.260	1.750
5404-20-16	1-1/4-11-1/2	1-11-1/2	1.250	0.938	2.450	1.750
5404-20-20	1-1/4-11-1/2	1-1/4-11-1/2	1.250	1.250	2.480	1.750
5404-24-12	1-1/2-11-1/2	3/4-14	1.500	0.719	2.360	2.000
5404-24-16	1-1/2-11-1/2	1-11-1/2	1.500	0.938	2.550	2.000
5404-24-20	1-1/2-11-1/2	1-1/4-11-1/2	1.500	1.250	2.580	2.000
5404-24-24	1-1/2-11-1/2	1-1/2-11-1/2	1.500	1.500	2.610	2.000
5404-32-12	2-11-1/2	3/4-14	1.938	0.719	2.540	2.500
5404-32-16	2-11-1/2	1-11-1/2	1.938	0.938	2.730	2.500
5404-32-20	2-11-1/2	1-1/4-11-1/2	1.938	1.250	2.760	2.500
5404-32-24	2-11-1/2	1-1/2-11-1/2	1.938	1.500	2.790	2.500
5404-32-32	2-11-1/2	2-11-1/2	1.938	1.938	2.820	2.500
5404-40-40	2 1/2-8	2 1/2-8	2.318	2.318	3.950	3.000