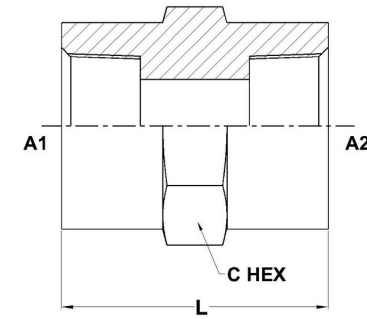




**HYDROMATIK**  
connections par excellence

## Tube Fittings & Adapters

**FP-FP Straight** 5000 Series | SAE# 140138



PART NO.SIZE	A1 NPTF	A2 NPTF	L LGTH	C HEX
5000-02-02	1/8-27	1/8-27	0.750	0.625
5000-04-02	1/4-18	1/8-27	1.130	0.750
5000-04-04	1/4-18	1/4-18	1.130	0.750
5000-06-02	3/8-18	1/8-27	1.130	0.875
5000-06-04	3/8-18	1/4-18	1.130	0.875
5000-06-06	3/8-18	3/8-18	1.130	0.875
5000-08-02	1/2-14	1/8-27	1.500	1.125
5000-08-04	1/2-14	1/4-18	1.500	1.125
5000-08-06	1/2-14	3/8-18	1.500	1.125
5000-08-08	1/2-14	1/2-14	1.500	1.125
5000-12-04	3/4-14	1/4-18	1.530	1.375
5000-12-06	3/4-14	3/8-18	1.530	1.375
5000-12-08	3/4-14	1/2-14	1.530	1.375
5000-12-12	3/4-14	3/4-14	1.530	1.375
5000-16-06	1-11-1/2	3/8-18	1.890	1.625

5000-16-08	1-11-1/2	1/2-14	1.890	1.625
5000-16-12	1-11-1/2	3/4-14	1.890	1.625
5000-16-16	1-11-1/2	1-11-1/2	1.890	1.625
5000-20-12	1-1/4-11-1/2	3/4-14	1.930	2.000
5000-20-16	1-1/4-11-1/2	1-11-1/2	1.930	2.000
5000-20-20	1-1/4-11-1/2	1-1/4-11-1/2	1.930	2.000
5000-24-16	1-1/2-11-1/2	1-11-1/2	1.930	2.375
5000-24-20	1-1/2-11-1/2	1-1/4-11-1/2	1.930	2.375
5000-24-24	1-1/2-11-1/2	1-1/2-11-1/2	1.930	2.375
5000-32-24	2-11-1/2	1-1/2-11-1/2	1.960	2.875
5000-32-32	2-11-1/2	2-11-1/2	1.960	2.875