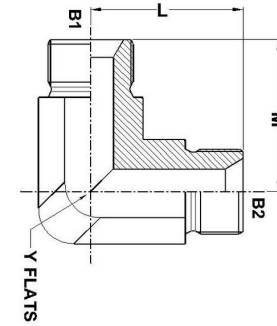
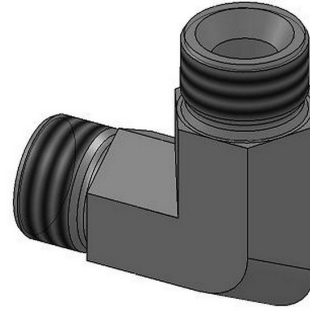




**HYDROMATIK**  
connections par excellence

## International Fittings

**MBSPP-MBSPP 90°** 9222 Series |



PART NO.SIZE	B1 BSPP	B2 BSPP	B1 DRILL	B2 DRILL	L LGTH	M LGTH	Y FLATS
9222-04-04-FG	1/4-19	1/4-19	4.7	4.7	27.8	27.8	14.0
9222-06-06-FG	3/8-19	3/8-19	7.9	7.9	31.7	31.7	19.0
9222-08-08-FG	1/2-14	1/2-14	11.1	11.1	37.0	37.0	22.0
9222-12-12-FG	3/4-14	3/4-14	16.7	16.7	41.6	41.6	27.0
9222-16-16-FG	1-11	1-11	22.2	22.2	49.7	49.7	33.0