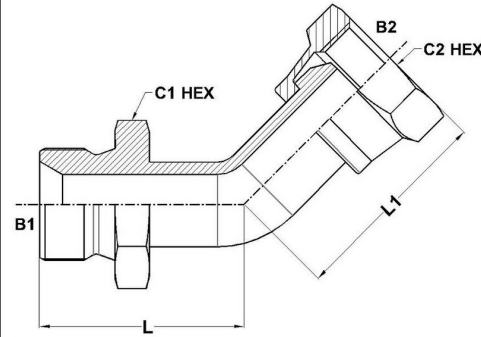
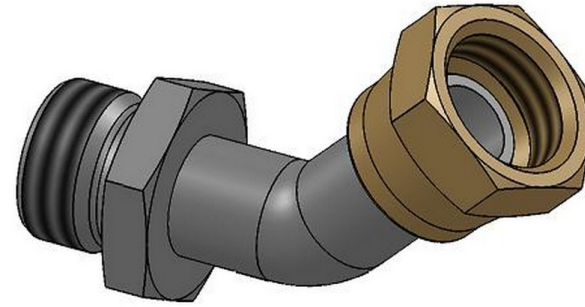




HYDROMATIK
connections par excellence

International Fittings

MBSPP-FBSPPS Swept 45° 9124 Series |



PART NO.SIZE	B1 BSPP	B2 BSPP	B1 DRILL	B2 DRILL	L LGTH	L1 LGTH	C1 HEX	C2 HEX
9124-04-04	1/4-19	1/4-19	4.7	4.7			19.0	19.0
9124-06-06	3/8-19	3/8-19	7.9	7.9			22.0	22.0
9124-08-08	1/2-14	1/2-14	11.1	11.1	38.0	40.0	27.0	27.0