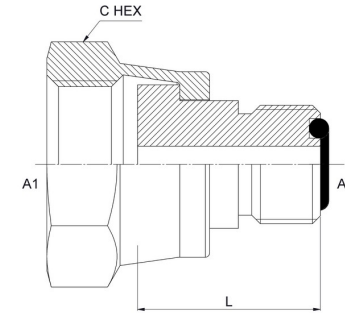
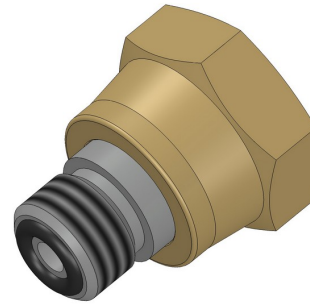




HYDROMATIK
connections par excellence

O-Ring Face Seal Fittings

FFS-MFS Tube End Reducar FS2406 Series | SAE# 520123



PART NO.SIZE	A1 TUBE O.D.	A2 TUBE O.D.	A1 THREAD	A2 THREAD	A2 DRILL	L LGTH	C HEX
FS2406-06-04	3/8	1/4	11/16-16	9/16-18	0.172	0.770	0.812
FS2406-08-04*	1/2	1/4	13/16-16	9/16-18	0.172	0.860	0.938
FS2406-08-06	1/2	3/8	13/16-16	11/16-16	0.264	0.880	0.938
FS2406-10-04*	5/8	1/4	1-14	9/16-18	0.172	0.900	1.125
FS2406-10-06*	5/8	3/8	1-14	11/16-16	0.264	0.950	1.125
FS2406-10-08*	5/8	1/2	1-14	13/16-16	0.378	1.010	1.125
FS2406-12-04*	3/4	1/4	1-3/16-12	9/16-18	0.172	0.980	1.375
FS2406-12-06*	3/4	3/8	1-3/16-12	11/16-16	0.264	1.030	1.375
FS2406-12-08*	3/4	1/2	1-3/16-12	13/16-16	0.378	1.090	1.375
FS2406-12-10	3/4	5/8	1-3/16-12	1-14	0.484	1.160	1.375
FS2406-12-16	3/4	1	1-3/16-12	1-7/16-12	0.609	1.240	1.375
FS2406-16-08*	1	1/2	1-7/16-12	13/16-16	0.378	1.150	1.625
FS2406-16-10*	1	5/8	1-7/16-12	1-14	0.484	1.260	1.625
FS2406-16-12	1	3/4	1-7/16-12	1-3/16-12	0.609	1.300	1.625

FS2406-16-20	1	1-1/4	1-7/16-12	1-11/16-12	0.811	1.320	1.625
FS2406-20-12*	1-1/4	3/4	1-11/16-12	1-3/16-12	0.609	1.320	1.875
FS2406-20-16	1-1/4	1	1-11/16-12	1-7/16-12	0.811	1.514	1.875
FS2406-20-24	1-1/4	1-1/2	1-11/16-12	2-12	1.260	1.514	1.875
FS2406-24-16*	1-1/2	1	2-12	1-7/16-12	0.811	1.340	2.250
FS2406-24-20*	1-1/2	1-1/4	2-12	1-11/16-12	1.024	1.340	2.250

*Note:Two-Piece Assembly