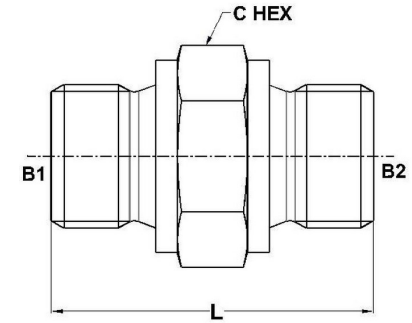
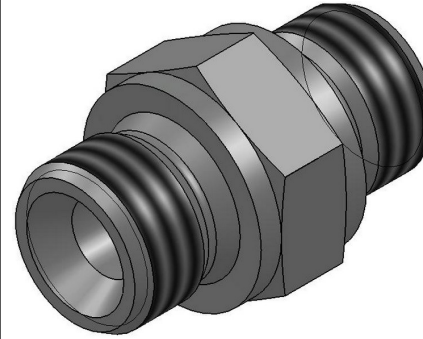




**HYDROMATIK**  
connections par excellence

## International Fittings

### Metric MBSPP-MM Nipple 9025 Series |



PART NO.SIZE	B1 BSPP	B2 MM	B1 DRILL	B2 DRILL	L LGTH	C HEX
9025-04-14	1/4-19	M14 x 1.5	4.7	7.5	30.0	19.0
9025-04-18	1/4-19	M18 x 1.5	4.7	11.0	31.5	24.0
9025-06-12	3/8-19	M12 x 1.5	7.9	6.0	32.0	22.0
9025-06-16	3/8-19	M16 x 1.5	7.9	9.0	32.0	22.0
9025-06-18	3/8-19	M18 x 1.5	7.9	11.0	32.5	24.0
9025-06-20	3/8-19	M20 x 1.5	7.9	12.5	33.0	27.0
9025-06-24	3/8-19	M24 X 1.5	7.9	15.5	37.5	32.0
9025-08-18	1/2-14	M18 x 1.5	11.1	11.0	36.0	27.0
9025-12-18	3/4-14	M18 x 1.5	16.7	11.0	40.0	32.0
9025-12-20	3/4-14	M20 x 1.5	16.7	12.5	42.0	32.0
9025-12-22	3/4-14	M22 X 1.5	16.7	14.0	42.0	32.0
9025-12-26	3/4-14	M26 x 1.5	16.7	18.0	44.0	32.0
9025-12-30	3/4-14	M30 x 2	16.7	21.0	46.0	36.0