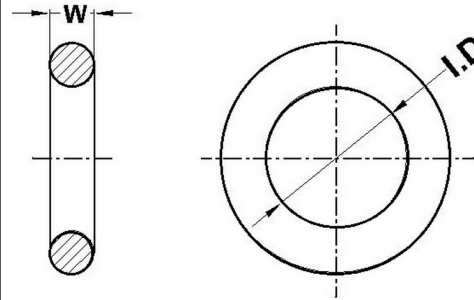
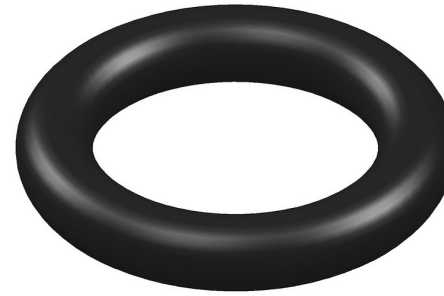




HYDROMATIK
connections par excellence

Tube Fittings & Adapters

Flange O-ring 4005 Series |



PART NO.SIZE	TUBE O.D.	W WIDTH	I.D
4005-08	1/2	0.14	0.734
4005-10	5/8	0.14	
4005-12	3/4	0.14	0.984
4005-16	1	0.14	1.296
4005-20	1-1/4	0.14	1.484
4005-24	1-1/2	0.14	1.859
4005-32	2	0.14	2.234
4005-40	2-1/2	0.14	2.734