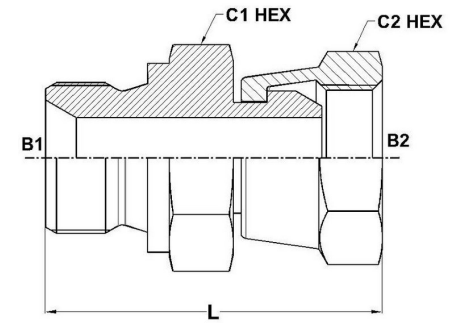
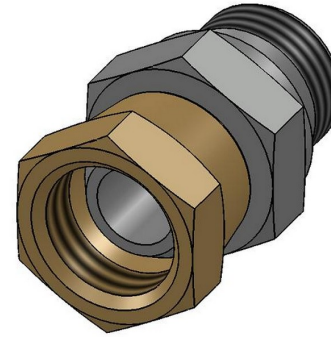




HYDROMATIK
connections par excellence

International Fittings

MBSPP-FBSPPS 9024 Series |



PART NO.SIZE	B1 BSPP	B2 BSPP	B1 DRILL	B2 DRILL	L LGTH	C1 HEX	C2 HEX
9024-02-02	1/8-28	1/8-28	3.5	3.5	29.0	14.0	3.5
9024-04-02	1/4-19	1/8-28	4.7	3.5	34.0	19.0	3.5
9024-04-04	1/4-19	1/4-19	4.7	4.7	35.0	19.0	4.7
9024-04-06	1/4-19	3/8-19	4.7	7.9	37.0	19.0	7.9
9024-06-04	3/8-19	1/4-19	7.9	4.7	37.0	22.0	4.7
9024-06-06	3/8-19	3/8-19	7.9	7.9	39.0	22.0	7.9
9024-08-06	1/2-14	3/8-19	11.1	7.9	43.0	27.0	7.9
9024-08-08	1/2-14	1/2-14	11.1	11.1	46.0	27.0	11.1
9024-08-12	1/2-14	3/4-14	11.1	16.7	49.0	27.0	16.7
9024-08-16	1/2-14	1-11	11.1	22.2	61.0	33.0	22.2
9024-10-10	5/8-14	5/8-14	14.3	14.3	53.0	30.0	14.3
9024-12-08	3/4-14	1/2-14	16.7	11.1	50.0	32.0	11.1
9024-12-12	3/4-14	3/4-14	16.7	16.7	53.0	32.0	16.7
9024-12-16	3/4-14	1-11	16.7	22.2	63.0	33.0	22.2
9024-16-16	1-11	1-11	22.2	22.2	66.0	41.0	22.2

9024-16-20	1-11	1-1/4-11	22.2	28.6	67.0	41.0	28.6
9024-20-20	1-1/4-11	1-1/4-11	28.6	28.6	72.0	50.0	28.6
9024-24-24	1-1/2-11	1-1/2-11	33.3	33.3	82.0	55.0	33.3