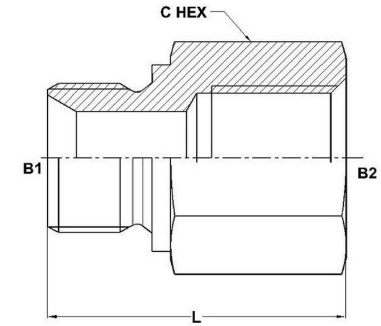
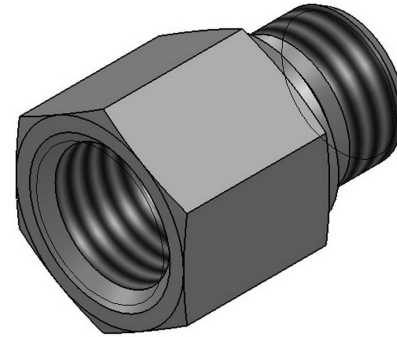




HYDROMATIK
connections par excellence

International Fittings

MBSPP-FBSPP 9023 Series |



PART NO.SIZE	B1 BSPP	B2 BSPP	B1 DRILL	L LGTH	C HEX
9023-04-02	1/4-19	11/8-28	4.7	18.0	19.0
9023-04-04	1/4-19	1/4-19	4.7	18.0	19.0
9023-04-06	1/4-19	3/8-19	4.7	32.0	22.0
9023-06-02	3/8-19	1/8-28	7.9	20.0	22.0
9023-06-04	3/8-19	1/4-19	7.9	20.0	22.0
9023-06-06	3/8-19	3/8-19	7.9	20.0	22.0
9023-06-08	3/8-19	1/2-14	7.9	35.0	27.0
9023-08-04	1/2-14	1/4-19	11.1	24.0	27.0
9023-08-06	1/2-14	3/8-19	11.1	24.0	27.0
9023-08-08	1/2-14	1/2-14	11.1	24.0	27.0
9023-08-12	1/2-14	3/4-14	11.1	42.0	32.0
9023-08-16	1/2-14	1-11	11.1	45.0	41.0
9023-12-04	3/4-14	1/4-19	16.7	28.0	32.0
9023-12-06	3/4-14	3/8-19	16.7	28.0	32.0
9023-12-08	3/4-14	1/2-14	16.7	28.0	32.0

9023-12-12	3/4-14	3/4-14	16.7	28.0	32.0
9023-12-16	3/4-14	1-11	16.7	47.0	41.0
9023-16-08	1-11	1/2-14	22.2	34.0	41.0
9023-16-12	1-11	3/4-14	22.2	34.0	41.0
9023-16-20	1-11	1-1/4-11	22.2	55.0	50.0
9023-20-12	1-1/4-11	3/4-14	28.6	39.0	50.0
9023-20-16	1-1/4-11	1-11	28.6	39.0	50.0
9023-24-16	1-1/2-11	1-11	33.3	45.0	55.0
9023-24-20	1-1/2-11	1-1/4-11	33.3	45.0	55.0
9023-32-16	2-11	1-11	46.0	54.0	70.0